



SECTION 26
CONTROLS

IN THIS CATALOG SECTION

PAGE NUMBER	CONTENTS
26-02	Whole House Controllers™ - Ventra XT
26-03	Whole House Controllers™ - Ventra PRO & Ventra Plus
26-04	Accessories - Whole House Controllers
26-05	Fortica - Whole House Controllers
26-06	Fortica - Expansion Units and Sensors
26-07	Fortica - Bird Weighing, Alarms, & Accessories
26-08	Whole House Controllers™ - HORIZON®
26-09	Ventilation Controllers & Accessories
26-10	Specialty Controllers
26-11	Back-up Units, Surge Protection, Thermostats
26-12 thru 26-13	Alarm Systems - Agri-Alert & Accessories

WHOLE HOUSE CONTROLLERS



VLink Remote Access Node

VENTRA XT

Large screen, Multiple zone, multiple program controls with pluggable relays and analog outputs

CATALOG #	ITEM DESCRIPTION	LBS.	KG.	LIST PRICE
921825	16 Channel Control No Triacs - 16 Digital and 12 Analog (0-10v or 10-0v) Output Channels - No Triac small fan VS Output Channels - 28 Analog Inputs and 6 Digital Inputs	32.0	14.5	
921826	16 Channel Control 2 Triacs - 14 Digital and 12 Analog (0-10v or 10-0v) Output Channels - 2 Triac small fan VS Output Channels - 28 Analog Inputs and 6 Digital Inputs	32.0	14.5	
921827	16 Channel Control 4 Triacs - 12 Digital and 12 Analog (0-10v or 10-0v) Output Channels - 4 Triac small fan VS Output Channels - 28 Analog Inputs and 6 Digital Inputs	32.0	14.5	
921830	24 Channel Control No Triacs - 24 Digital and 12 Analog (0-10v or 10-0v) Output Channels - No Triac small fan VS Output Channels - 28 Analog Inputs and 6 Digital Inputs	32.0	14.5	
921831	24 Channel Control 2 Triacs - 22 Digital and 12 Analog (0-10v or 10-0v) Output Channels - 2 Triac small fan VS Output Channels - 28 Analog Inputs and 6 Digital Inputs	32.0	14.5	
921832	24 Channel Control 4 Triacs - 20 Digital and 12 Analog (0-10v or 10-0v) Output Channels - 4 Triac small fan VS Output Channels - 28 Analog Inputs and 6 Digital Inputs	32.0	14.5	
921835	32 Channel Control No Triacs - 32 Digital and 12 Analog (0-10v or 10-0v) Output Channels - No Triac small fan VS Output Channels - 28 Analog Inputs and 6 Digital Inputs	32.0	14.5	
921836	32 Channel Control 4 Triacs - 28 Digital and 12 Analog (0-10v or 10-0v) Output Channels - 4 Triac small fan VS Output Channels - 28 Analog Inputs and 6 Digital Inputs	32.0	14.5	

VENTRA NETWORKING & WWW ACCESS

Need (1) of Node per farm site. Need (1) Software per laptop computer

CATALOG #	ITEM DESCRIPTION	LBS.	KG.	LIST PRICE
921645	Vlink Stand Alone Thumbdrive with Software - (1) license	0.5	0.2	
921743	Vlink Hardware Assembly Node	7.0	3.2	

WHOLE HOUSE CONTROLLERS



Ventra PRO

VENTRA PRO

Multiple zone, multiple program controls with pluggable relays

CATALOG #	ITEM DESCRIPTION	LBS.	KG.	LIST PRICE
VPR-016-001	16 Channel Control - Expandable to 92 Channels - 14 Analog Inputs and 6 Digital Inputs	27.0	12.2	
VPR-016-201	16 Channel Control - 14 on/off, 2 variable speed - Expandable to 92 Channels - 14 Analog Inputs and 6 Digital Inputs	27.3	12.4	
VPR-016-401	16 Channel Control - 12 on/off, 4 variable speed - Expandable to 92 Channels - 14 Analog Inputs and 6 Digital Inputs	26.7	12.1	
VPR-024-001	24 Channel Control - Expandable to 92 Channels - 14 Analog Inputs and 6 Digital Inputs	23.0	10.4	
VPR-024-201	24 Channel Control - 22 on/off, 2 variable speed - Expandable to 92 Channels - 14 Analog Inputs and 6 Digital Inputs	28.8	13.1	
VPR-024-401	24 Channel Control - 20 on/off, 4 variable speed - Expandable to 92 Channels - 14 Analog Inputs and 6 Digital Inputs	20.0	9.1	
VPR-032-001	32 Channel Control - Expandable to 92 Channels - 14 Analog Inputs and 6 Digital Inputs	29.1	13.2	
VPR-032-401	32 Channel Control - 28 on/off, 4 variable speed - Expandable to 92 Channels - 14 Analog Inputs and 6 Digital Inputs	30.5	13.8	

VENTRA PLUS

Multiple zone controls with fixed relays

CATALOG #	ITEM DESCRIPTION	LBS.	KG.	LIST PRICE
RD-001-301	VENTRA1200ZP 12 Device Output Channels incl. 2 Variable Speed, Multi Zone, "Hot Keys" Expandable (Model 1200ZPVS)	13.1	5.9	

ACCESSORIES

WHOLE HOUSE CONTROLLERS

SENSORS - *Ventra and GainTRAC*

CATALOG #	ITEM DESCRIPTION	LBS.	KG.	LIST PRICE
SR-017-100	Temp Sensor	0.20	0.1	
SR-09	Temp/Airspeed Sensor	0.15	0.1	
921799	Relative Humidity Sensor - Water Resistant	1.00	0.5	
PA-56	Relative Humidity Sensor - Dust Tight	0.51	0.2	
921950	Carbon Monoxide Sensor 0-500 ppm	1.00	0.5	
921951	Carbon Dioxide Sensor 0-10,000 ppm	1.90	0.9	
921952	Ammonia Sensor Drager DOL-53 0-100 ppm	1.64	0.7	
922027	Replacement Element for Ammonia Sensor 921952	4.00	1.8	
820371	Water Meter Kit, Gallons, Brass Body, 1 PPG Digital output 5/8" X 3/4" Connections 0.5gpm min 25gpm max flow	8.00	3.6	
820373	Water Meter Kit, Metric, Brass Body, 0.01 m3/pulse Digital output 5/8" X 3/4" Connections 0.11 m3h min 5.70 m3h max flow	8.00	3.6	
PA-69	Water Meter Sensor for legacy Badger Water Meters (water meter not included)	0.20	0.1	
PA-72	Feed Sensor	1.00	0.5	
VE-006-001	Static Pressure Sensor M950SPS	2.70	1.2	
VE-006-101	Static Pressure Sensor Kit - Enclosure Not Included	2.00	0.9	
ZC1150RL	Sensor Wire - 1,000 Foot Roll	19.97	9.1	
ZC1150R	Sensor Wire - Per Foot APPLIES TO ANY NON-1000' ROLL QUANTITY	0.02	0.0	
WS-27	Scotchlok - Wire Connector	0.00	0.0	
PA250	Wall Mount Manometer (-.05" - 3" W/C)	0.00	0.0	
VM300	Dwyer Mark II Manometer (0-8mm W/C) - Wall Mounted	1.13	0.5	

EXPANSION STATIONS - *Ventra and GainTRAC*

RD-002-101	12 Channel Variable Speed Expansion Station (Model 12VS) 10 Analog, 4 Digital Inputs; 10 On/Off, 2 Variable Outputs	11.12	5.0	
RD-008-001	2 Variable Speed Channel Expansion Station (Model 2VS)	7.59	3.4	

VENTRA PRO ACCESSORIES

921458	Analog Output Board Kit - adds (12) 0-10v analog outputs to Ventra PRO controllers - includes power cable	0.09	0.0	
--------	---	------	-----	--

VENTRA NETWORKING & WWW ACCESS - *Ventra*

921645	Vlink Stand Alone Thumbdrive with Software	0.50	0.2	
921743	Vlink Hardware Assembly Node	6.95	3.2	

WHOLE HOUSE CONTROLLERS

Fortica Control



SYSL-REMOTE software



NOVUS Farm Management Software

FORTICA

Flexible whole-house controllers - add (1) EKU-1 per curtain machine/actuator/winch channel required

CATALOG #	ITEM DESCRIPTION	MODEL #	LBS.	KG.	LIST PRICE
922010	FORTICA Control for BROILERS 33 Output channels - 16 Digital, 16 Analog (0-10v), and 1 alarm (NO) 20 Inputs - 12 Analog and 8 Digital	FORTICA-PB	16.2	7.3	
922011	FORTICA Control for BREEDERS 33 Output channels - 16 Digital, 16 Analog (0-10v), and 1 alarm (NO) 20 Inputs - 12 Analog and 8 Digital	FORTICA-PP	13.1	5.9	
922012	FORTICA Control for AVIARY & FREE-RANGE LAYERS 33 Output channels - 16 Digital, 16 Analog (0-10v), and 1 alarm (NO) 20 Inputs - 12 Analog and 8 Digital	FORTICA-PS	16.2	7.3	

FORTICA Remote Access

CATALOG #	ITEM DESCRIPTION	MODEL #	LBS.	KG.	LIST PRICE
922030	Router with PSU for connecting FORTICA to web (1) per farm site Requires Ethernet connectivity and (1) SYSL-REMOTE per FORTICA control connected Order cable/connectors and optional surge protection kits as needed	SYSLINQ	5.3	2.4	
922031	Software package to allow remote access (VNC and VPN) to Fortica from laptop, tablet, and mobile phones	SYSL-REMOTE	0.0	0.0	
922032	Fortica Remote Alarm - Software Only	SYSL-NOTI-MOD	0.0	0.0	
922033	Fortlink On-farm management display for multi-barn sites. Includes SYSLINQ router for remote connectivity via ethernet. Requires (1) SYSL-REMOTE NOTE - when using FORTLINK-S each Fortica does NOT require its own SYSL-REMOTE software package	FORTLINK-S	10.0	4.5	
922034	Novus Farm Management Software for remote connected farm sites with multiple barns. Pulls in data for graphical comparisons and reporting on a laptop. Includes (1) license	NOVUS-FARM	0.4	0.2	
922066	Fortica Flock Chart Software Upgrade	HO09032055	0.0	0.0	



FORTLINK-S management display



SYSLINQ Router

FORTICA Software Upgrade for ENERGY mode with (3) Heat Exchangers



WHOLE HOUSE CONTROLLERS



FORTICA Expansion Units

Flexible whole-house controllers

CATALOG #	ITEM DESCRIPTION	MODEL #	LBS.	KG.	LIST PRICE
922014	FWS Slave unit for feed weighing and multiple house feed requests from shared bins - max 9 output augers 16 Digital Outputs, 16 analog outputs	FORTICA-FWS	16.2	7.3	
922015	Input/Output expansion module with 33 Output channels - 16 Digital, 16 Analog (0-10v), and 1 alarm (NO) 20 Inputs - 12 Analog and 8 Digital	CAN-IO-20-33	9.0	4.1	
922016	Input/Output expansion module with 14 Output channels - 12 Digital, 1 Analog (0-10v), and 1 alarm (NO) 6 Inputs - 2 Analog and 4 Digital	CAN-IO-6-14	9.0	4.1	
922017	Output module for Silo Weighing(1 bin) or Bird Scales (2 bird scales) - requires BinTRAC HL-10P p/n 502137 Houselink box for silo weighing	CAN-IO-LCA	4.1	1.9	
502137	Houselink Proportional converter for BinTRAC Display to Fortica	HL-10P	0.3	0.1	
	EasyButton with green pushbutton 1xNO incl LED - use one per bin for filling events	EASYBUTTON-GP	#N/A		
922018	Output module for control of (1) inlet/curtain/winch with time-based control with or without potentiometer 230VAC Converts Fortica 0-10v signal into runtime opening/closing	EKU-1	4.0	1.8	
922019	Lighting Amplifier 0-10v with manual override	HLV-10	3.7	1.7	

FORTICA Sensors

CATALOG #	ITEM DESCRIPTION	MODEL #	LBS.	KG.	LIST PRICE
922020	Temperature Sensor	PT1000	0.1	0.1	
922021	Temperature Sensor with 19' (6m) of wire - usually buried in a 10' pvc pipe in the floor for floor temp sensing	PT1000-6	1.0	0.5	
922022	Outdoor Temperature Sensor (1 per farm with connected Fortica Controls)	PT1000-BU	0.7	0.3	
922023	Relative Humidity Sensor	RV-A-0-5	0.4	0.2	
922024	Static Pressure Sensor for Positive- and Negative-Pressure ventilation	OPN-DR-ST-I	0.7	0.3	
922025	Static Pressure Tubing and Enclosure Kit (1 per SP Sensor required)	OPN-DR-ST-SET	0.1	0.0	
922026	Carbon Dioxide Sensor 0-5000ppm	OPN-CO2-E2	1.0	0.5	
921952	Ammonia Sensor Drager DOL-53 0-100 ppm	OPN-DOL53-NH3	1.6	0.7	
922027	Replacement Element for Ammonia Sensor 921952	DOL53-NH3-RES	4.0	1.8	
922028	Light Sensor 0-50 lux	OPN-LS-50LUX	3.0	1.4	
820371	Water Meter Kit, Gallons, Brass Body, 1 PPG Digital output 5/8" X 3/4" Connections 0.5gpm min 25gpm max flow		8.0	3.6	
820373	Water Meter Kit, Metric, Brass Body, 0.01 m3/pulse Digital output 5/8" X 3/4" Connections 0.11 m3h min 5.70 m3h max flow		8.0	3.6	
922029	Outside Weather Station for Wind Speed and Direction (1 per farm with connected Fortica Controls)	OPN-WRS-K	5.0	2.3	

WHOLE HOUSE CONTROLLERS



FORTICA Bird Weighing

Platforms with load cells included

CATALOG #	ITEM DESCRIPTION	MODEL #	LBS.	KG.	LIST PRICE
922035	Bird Scale for Turkeys 1m x 1m platform 100kg	DWS-3-ZW	10.00	4.5	
922036	Bird Scale for Broilers/Pullets .4m x .4m platform 35kg	DWS-4-ZW	14.72	6.7	
922037	Bird Weighing Perch for Cage Layers 15kg	DWS-5-ZW	10.00	4.5	
922038	Bird Weighing Perch for Cage Broilers 15kg	DWS-6-ZW	10.00	4.5	
922039	Connector Box for DWS weighers	KK-7P	10.00	4.5	
922040	7-pin male plug for DWS	CON-7P-M	10.00	4.5	

FORTICA Egg Counting (or generic egg counters)

922062	Egg counter sensor control - 230VAC Connects to up to 2 egg counters on the Agri Net network - Fortica	CAN-SENS	0.98	0.4	
922063	Egg counter sensor control - 24Vdc Connects to up to 2 egg counters on the Agri Net network - Fortica	CAN-SENS-D	4.00	1.8	
922064	Brackets for the egg counters	EGGX-MON-L+L	1.68	0.8	
922065	Waterproof Connector - Quick disconnect for egg counter	WDS-7P	0.50	0.2	
922067	50cm / 20" Egg counter	EGGXACT-50	3.00	1.4	
922060	40cm / 16" Egg counter	EGGXACT-40	1.64	0.7	
922061	20cm / 8" Egg counter	EGGXACT-20	1.50	0.7	

FORTICA Alarms and Surge Protection

922041	Fortica Master Alarm - 10 Groups	ACA-10N	10.00	4.5	
922042	Siren 110db, 12VDC	SIRENE-AS-612	10.00	4.5	
922043	Flashing Alarm Light 10-100VDC, 20-72 VAC, 2W, Orange	AU-003	10.00	4.5	
922044	Three-phase voltage monitor	PM-31	10.00	4.5	
922045	Single Thermostat	T-51	10.00	4.5	
922046	Min/Max Double Thermostat	T-52	10.00	4.5	
ZC15165	Low Water Pressure Switch (Alarms 15/60 psi Min/max)		1.12	0.5	
922047	Overvoltage Protection for Fortica and Ethernet - recommend (1) per Fortica, Sysling, FWS, Fortlink	ETHER-OVP	0.20	0.1	
922048	Overvoltage Protection for Fortica and Ethernet - includes 2x UTP patch cables 30cm	ETHER-OVP-SET	0.30	0.1	

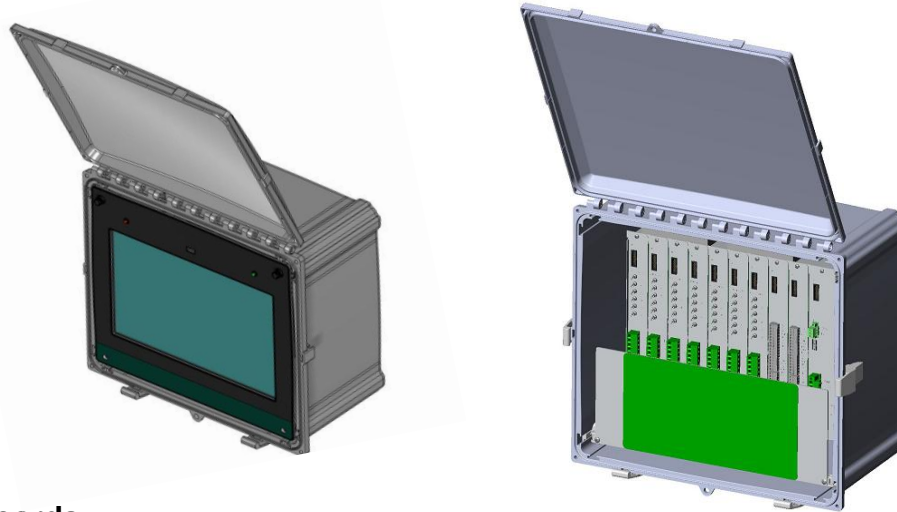
FORTICA Connection Accessories

922049	1 meter Ethernet cable 2x2x0.64mm for CAN-BACKBONE comms between Forticas, Routers, Weather Stations, and FWS Feeders	ETHER-BK	10.00	4.5	
922050	One meter CAN-Bus cable 1x2x0.64mm for CAN-LOCAL comms between Forticas and slaves/expansion stations	CAN-BK	0.03	0.0	
922051	4-pin male RJ45 connector - handcrimps onto ETHER-BK and CAN-BK cables - need (2) per cable run	CONN-RJ45	10.00	4.5	
ZC183F	One foot (1') 3-Conductor shielded 18 AWG wire for connecting temp and other sensors to Fortica		0.04	0.0	

FORTICA Repair Parts

922110	Front I/O Board	CAN-20-33-PWU	3.00	1.4	
922111	I/O Connector Board	CON-CAN-20-33	1.00	0.5	

WHOLE HOUSE CONTROLLERS



HORIZON® Boards

CATALOG #	ITEM DESCRIPTION	LBS.	KG.	LIST PRICE
920957	Relay (RIOM) assembly w/ (6) normally open output relays	0.5	0.2	
920962	Input (GPIOM) assembly w/ (12) digital/analog inputs and (2) analog outputs	0.3	0.1	

HORIZON Sensors

CATALOG #	ITEM DESCRIPTION	LBS.	KG.	LIST PRICE
921092	Temperature Sensor 10k thermistor	0.1	0.0	
921093	Relative Humidity Sensor	1.0	0.5	
921094	Static Pressure Sensor	0.3	0.1	
921096	Static Pressure Sensor Kit w/ tubing, filters, enclosure	2.7	1.2	
921095	Air Speed Sensor - Cup Type	1.0	0.5	
PA-69	Water Meter Sensor	0.2	0.1	
PA-72	Feed Motor Current Sensor	1.0	0.5	
921096	Static Pressure Sensor Kit w/ tubing, filters, enclosure	2.7	1.2	
921095	Wind Speed Anemometer Sensor - 125 fpm minimum	1.0	0.5	
PA-69	Water Meter Sensor	0.2	0.1	
PA-72	Feed Motor Current Sensor	1.0	0.5	

VENTILATION CONTROLLERS

OVATION SERIES

All Ovation Series controls include (1) ZC1351 temp sensor

CATALOG #	ITEM DESCRIPTION	MODEL #	LBS.	KG.	LIST PRICE
C801	6 Stage: 2 Variable, 4 On/Off, With Alarm	Ovation 24	6.9	3.1	

SENSORS

CATALOG #	ITEM DESCRIPTION	MODEL #	LBS.	KG.	LIST PRICE
ZC1351	1' Temp Sensor - C & D Series, Ovation	832-00000	0.1	0.0	
ZC1353	30' Temp Sensor - C & D Series, Ovation	832-00002	1.0	0.5	
ZC1348	6' Temp Sensor for VTC, TSC, FHC, AEC, SEC, TVS, PEC	MT-P3A	0.0	0.0	
ZC1150RL	Sensor Wire - 1,000 Foot Roll	COMM WIRE	20.0	9.1	
ZC1150R	Sensor Wire - Per Foot APPLIES TO ANY NON-1000' ROLL QUANTITY	COMM WIRE	0.0	0.0	
WS-27	Scotchlok Two-Wire Connector	3-M	0.0	0.0	

PEC+ VENTILATION CONTROL

CATALOG #	ITEM DESCRIPTION	MODEL #	LBS.	KG.	LIST PRICE
C423	PEC+ 8 Stage 2VS 6 Relay, Curtains, Alarm		4.0	1.8	



SPECIALTY CONTROLLERS

POLAIR HIGH PRESSURE FOGGING UNITS

CATALOG #	ITEM DESCRIPTION	LBS.	KG.	LIST PRICE
VE-010-000	POLAIR 400HC - No Contactor - 2 Stages Cooling	8.5	3.9	
VE-010-001	POLAIR 400HC - 23 Amp - 2 Stages Cooling	9.0	4.1	
VE-010-101	POLAIR 400HC - 43 Amp - 2 Stages Cooling	9.0	4.1	
VE-010-201	POLAIR 400HC - 60 Amp - 2 Stages Cooling	9.0	4.1	

VARIABLE SPEED CONTROLS

CATALOG #	ITEM DESCRIPTION	LBS.	KG.	LIST PRICE
C407	MSC-4 Manual Variable Speed (12.5A)	2.0	0.9	
C408	MTC-4C Automatic Variable Speed control	2.0	0.9	

LIGHTING CONTROLS

CATALOG #	ITEM DESCRIPTION	LBS.	KG.	LIST PRICE
921133	Light Dimmer 4 Circuits 2000W (8000W total) each 0-10V input 110V	8.0	3.6	



BACK-UP UNITS, THERMOSTATS, SURGE PROTECTION

BACK-UP UNITS

CATALOG #	ITEM DESCRIPTION	LBS.	KG.	LIST PRICE
VE-017-101	ThermoTRAC Backup Control - 6 Outputs Expandable to 8, Min Vent Timer, Alarm	17.1	7.8	
RY-008-003	Line Power Time Delay Relay Kit - Prevents Brownout Alarms for ThermoTRAC	0.0	0.0	
VE-017-200	Main Control Power Failure Monitor	0.1	0.0	

THERMOSTATS

CATALOG #	ITEM DESCRIPTION	LBS.	KG.	LIST PRICE
C415	Single Stage Thermostat SPDT - 16/12/10A at 120/240/277VAC	2.0	0.9	

SURGE PROTECTION

CATALOG #	ITEM DESCRIPTION	LBS.	KG.	LIST PRICE
921810	Phone Surge Suppressor	0.0	0.0	
VE-013-101	Deadbolt - Data Surge Suppressor	0.1	0.1	
VE-016-001	Deadbolt - Control Circuit Surge Suppressor	0.6	0.3	

Grounding Kit

CATALOG #	ITEM DESCRIPTION	LBS.	KG.	LIST PRICE
922170	Grounding Kit - 4' Grounding Rod Electrodes (4) Ground Round Couplers (2) Ground Rod Clamps (3) Driving Sleeve (1) 25' #6 AWG Bare Copper Wire (2)	15.0	6.8	

ALARM SYSTEMS

AGRI-ALERT 400 ALARM & MONITOR

Dry contact only requires C415 for temp alarming - not ZC1351 or ZC1353

CATALOG #	ITEM DESCRIPTION	MODEL #	LBS.	KG.	LIST PRICE
C379	Agri-Alert 400, 4 Zones Dry Contact only, non-expandable, no auto-dialer. -Power Pack not included	400	3.0	1.36	
C3003	Power Pack Transformer: 120/16.5V, 40VA, 12V Sealed Battery, Battery Box, for AA2400, AA400	PP-2400	10.0	4.54	

AGRI-ALERT 800EZ ALARM & MONITOR

Includes Battery Back-up and 24VDC Transformer

CATALOG #	ITEM DESCRIPTION	MODEL #	LBS.	KG.	LIST PRICE
C376	Agri-Alert 800EZ Kit* - Includes Outdoor Temp Card	800EZ	7.0	3.18	
C377	Agri-Alert 800EZ* - Outdoor Temp Card Not Included	800EZ	3.8	1.72	
C378	Outdoor Temperature Card for 800EZ		3.0	1.36	

AGRI-ALERT 128 ALARM & MONITOR

CATALOG #	ITEM DESCRIPTION	MODEL #	LBS.	KG.	LIST PRICE
921527	AGRI-ALERT 128 REV A KIT, PVX COMMS W/BATBOX & TP-8	15.22	29.9	13.58	
921418	Agri-Alert 128, Battery Box / 12V 7 AH	128	0.0	0.00	
921525	WIRELESS RS-485 FOR AGRI ALERT NETWORK		0.0	0.00	
921524	Power Supply - 24V, 20W		0.0	0.00	
921414	Transponder - Adds 8 Zones Remote from AA128/AA9600	TP-800	2.8	1.28	
921528	AGRI-ALERT TP-8 TRANSPONDER EXPANSION MODULE 8 ZONES	TP-8	2.7	1.23	
921415	Keypad - Adds 4 zones remote to AA128/AA9600 Rugged enclosure, keypad and display	KPB-400	3.4	1.54	

ALARM SYSTEMS

AGRI-ALERT 9600 ALARM & MONITOR (ALARM IS OBSOLETE)

CATALOG #	ITEM DESCRIPTION	MODEL #	LBS.	KG.	LIST PRICE
C303B	Power Pack Transformer: 120 or 240/16.5V, 130VA, 12V Battery, Battery Box, for Agri-Alert 9600	PP-9600	10.0	4.5	
ZC1506A	8 Zone Expansion Card for AA9600	AA-96Ext	1.0	0.5	\$ 1125.93 2 in Stock
921414	Transponder - Adds 8 Zones Remote from AA128/AA9600	TP-800	2.8	1.3	
921415	Keypad - Adds 4 zones remote to AA128/AA9600 Rugged enclosure, keypad and display	KPB-400	3.4	1.5	
ZC15163	Keypad - Adds 4 zones remote from 9600 Non-rugged enclosure, keypad and display	KP-400	1.8	0.8	

AGRI-ALERT ALARM ACCESSORIES

Dry contact only requires C415 for temp alarming - not ZC1351 or ZC1353

CATALOG #	ITEM DESCRIPTION	MODEL #	LBS.	KG.	LIST PRICE
ZC1351	Temp Sensor with 1' wire	832-00000	0.1	0.0	
ZC1353	Temp Sensor with 30' wire	832-00002	1.0	0.5	
C415	Single Stage Thermostat SPDT - Use for AA400 - 16/12/10A at 120/240/277VAC		2.0	0.9	
ZC15165	Low Water Pressure Switch (Alarms 15/60 Psi Min/Max)	832-00020	1.1	0.5	
ZC1515	Siren - 12VDC	115-00005	1.0	0.5	
ZC1511	Power Failure Relay Kit, 120VAC (1 Phase)	VRB-1-120	3.0	1.4	
ZC1514	Power Failure Relay Kit, 120VAC (3 Phase) Cannot be used in Europe	VRB-3-120	3.0	1.4	
ZC15156	Power Failure Relay Kit , 240VAC (1 Phase)	VRB-1-240	2.4	1.1	
ZC15157	Power Failure Relay Kit, 240VAC (3 Phase) Cannot be used in North America	VRB-3-240	1.0	0.5	
ZC1520	Passive Infra-Red Motion Detector	832-00021	0.0	0.0	
ZC1521	Door Alarm Contact	830-00010	0.0	0.0	
ZC1526	Photo Electric Detector Beam	830-00011	0.0	0.0	
ZC1509	Transformer, 16.5VAC, 40VA, for AA2400	T-2400	2.0	0.9	
ZC1508	Transformer, 120 or 240/16.5VAC, for AA9600	T-9600	2.0	0.9	
ZC1505	Rechargeable battery, 7AH, 12V, Sealed for 2400, 9600	112-00003	4.0	1.8	
ZC15171	Heat detector, 135F or 15F rise/min	832-00019	0.0	0.0	
ZC15172	Heat detector, 200F or 15F rise/min	832-00034	0.6	0.3	



This page left intentionally blank