



SECTION 17 TURKEY PAN FEEDER

IN THIS CATALOG SECTION

PAGE NUMBER	CONTENTS
17-02	How to Place a Turkey Pan Feeder Order
17-03	Adult Turkey Control Pans, Feed Pans and Tubes & Accessories
17-04	Boots - Hoppers - Controls
17-05	Drives & Auger
17-06	Poult Control Pans
17-07	Poult Feeder Pans
17-08	Poult Smooth Tubes
17-09	Poult Ribbed Tubes
17-10	Anti Roost Items - Winched Feed Level Adjustment - Switches
17-11	Adult Turkey Feed Line Component Requirements End Fill - 3 Pans Per 20' of Tube
17-12	Adult Turkey Feed Line Component Requirements Center Fill - 3 Pans Per 20' of Tube
17-13	Adult Turkey Feed Line Component Requirements End Fill - 2 or 3 Pans Per 10' Tube
17-14	Adult Turkey Feed Line Component Requirements Center Fill - 2 or 3 Pans Per 10' Tube
17-15	Poult Feed Line Component Requirements End Fill - 2/3/4 Pans Per ' Tube
17-16	Poult Feed Line Component Requirements Center Fill - 2/3/4 Pans Per 9' Tube
17-17	Poult Feed Line Component Requirements End Fill - 2/3/4 Pans Per 10' Tube
17-18	Poult Feed Line Component Requirements Center Fill - 2/3/4 Pans Per 10' Tube



HOW TO ORDER TURKEY PAN FEEDERS

- Recommended Bird Density Per Pan - See Chart Below:
- Determine the number of feed lines and type of line needed (end fill or center fill).
- Select feeder line components as specified by the chart. See components listing on pages 17-11 thru 17-18.
- A complete feeder line order should include the following items:
 - End house control pan (2 per center fill line) - also mid-house control pan if required.
 - Motor & Gearbox Drive Unit per end control pan - farm duty motor if V-belt drive is selected.
 - Boot or Hopper Base with feed hopper/upper hopper.
 - Turkey Pan Feeder units.
 - Adult Turkey Feeders and Poult Turkey Feeders fit on different feed tube sizes.
 - Feed line tubes. Note that two different tubes must be ordered for a 3 pans per 20' of tube feed line.
 - Tube clamps (if required) and tube hangers.
 - Auger - must be ordered in full length rolls.
 - Anti-Roost Items as needed.
 - Feed control Switches and/or miscellaneous items as needed.
 - Winched feed level adjustment items if needed.
- Feed delivery rate based on 40 lbs. per cubic foot (640 kg. per cubic meter) is approximately 20 pounds (9 kgs.) per minute at 358 RPM with full restrictor shaft and mash feed.

TURKEY PAN FEEDING RECOMMENDATIONS						
Turkey Females	Age Weeks	Maximum Birds/Pan	Pan Dia. IN (CM)	Feeder Space IN (CM)	Pan Model	Part Numbers
Poults	0-5	65	13 (33)	40.8 (103.7)	PXP	460350
Poults	0-10	50	13 (33)	40.8 (103.7)	PXP	460350
Poults	0-5	70	14 (35.6)	44 (111.7)	Fuze Pro	Varied
Poults	0-10	55	14 (35.6)	44 (111.7)	Fuze Pro	Varied
Hens	5-15	80	17.5 (44.5)	55 (139.6)	PTF	460217/460280
Hens	5-18	70	17.5 (44.5)	55 (139.6)	PTF	460217/460280
Hens	5+	60	17.5 (44.5)	55 (139.6)	PTF	460217/460280
Turkey Males	Age Weeks	Maximum Birds/Pan	Pan Diameter	Feeder Space IN (CM)	Pan Model	Part Numbers
Poults	0-5	60	13 (33)	40.8 (103.7)	PXP	460350
Poults	0-10	40	13 (33)	40.8 (103.7)	PXP	460350
Poults	0-5	65	14 (35.6)	44 (111.7)	Fuze Pro	Varied
Poults	0-10	45	14 (35.6)	44 (111.7)	Fuze Pro	Varied
Toms	5-15	50	17.5 (44.5)	55 (139.6)	PTF	460217/460280
Toms	5-18	45	17.5 (44.5)	55 (139.6)	PTF	460217/460280
Toms	5+	40	17.5 (44.5)	55 (139.6)	PTF	460217/460280

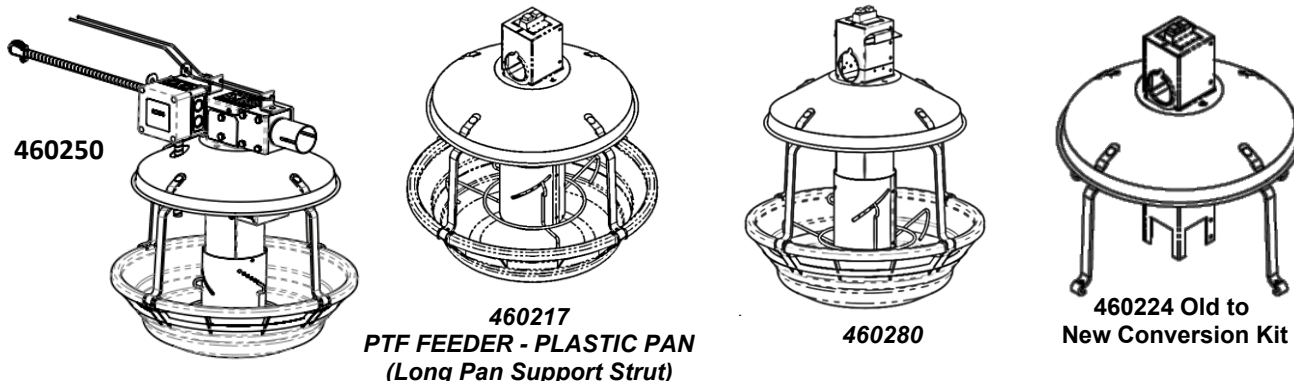
ADULT TURKEY CONTROL PANS & ACCESSORIES

CONTROL PANS

CATALOG #	ITEM DESCRIPTION	SHIP WEIGHT		LIST PRICE
		LBS.	KG.	
460250	End Control Pan Unit - Direct Drive For 460217 Feeder - Mechanical Switch	0.6	0.3	
820022	Bird Attracting LED Light For Control Pans (Universal)	0.4	0.2	

PAN FEEDERS

460217	PTF Turkey Feeder - Plastic Pan Feeder (New Style)	1.8	0.8	
460280	PTF Turkey Feeder - 2 Piece Plastic Pan Feeder (New Style)	9.7	4.4	
460238	Replacement 2 Piece Turkey Tower for 460280	0.7	0.3	
460224	PTF Conversion Kit - Old to New. Includes pan shield, struts, tube support and hardware	0.1	0.0	



ADULT TURKEY SMOOTH TUBE (TUBE CLAMP REQUIRED)

460124	10' Tube - No Hole with Bell	0.1	0.0	
460121	10' Tube - 1 Hole (for 3 pans per 20' - 80" Spacing)	0.0	0.0	
460122	10' Tube - 2 Hole (for 3 pans per 20' - 80" Spacing)	0.5	0.2	
460102	10' Tube - 2 Hole - 60" Spacing	0.8	0.3	
460123	10' Tube - 3 Hole - 40" Spacing	0.1	0.1	

Repair/Replacement Tubes Shipped prior to May 1, 2017

460101	10' Tube - 1 Hole (for 3 pans per 20' - 80" Spacing)	0.0	0.0	
460104	10' Tube - 2 Hole (for 3 pans per 20' - 80" Spacing)	0.0	0.0	
460103	10' Tube - 3 Hole - 40" Spacing	0.0	0.0	

TUBE CLAMP & HANGERS

460022	2" Tube Clamp	0.4	0.2	
720220	2" Tube Hanger	0.0	0.0	

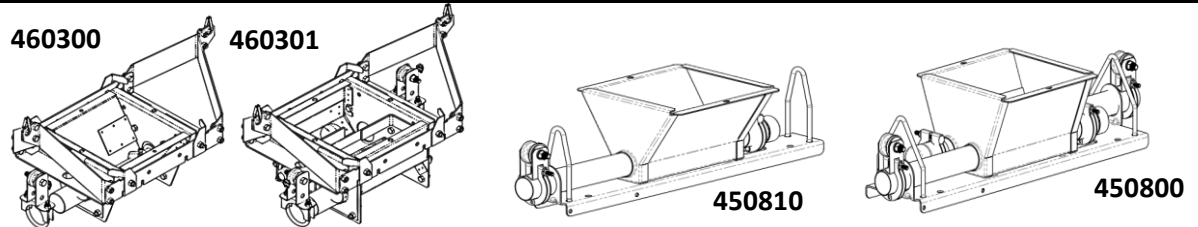
BOOTS - HOPPERS

BOOTS - ADULT TURKEY FEED LINES

CATALOG #	ITEM DESCRIPTION	SHIP WEIGHT		LIST PRICE
		LBS.	KG.	
460300	Single Outlet Boot Assembly - (use 100 or 200 lb. Galvanized Hopper only) Do not use Poly Hopper	0.1	0.0	
460301	Double Outlet Boot Assembly - (use 100 or 200 lb. Galvanized Hopper only) Do not use Poly Hopper	0.1	0.0	

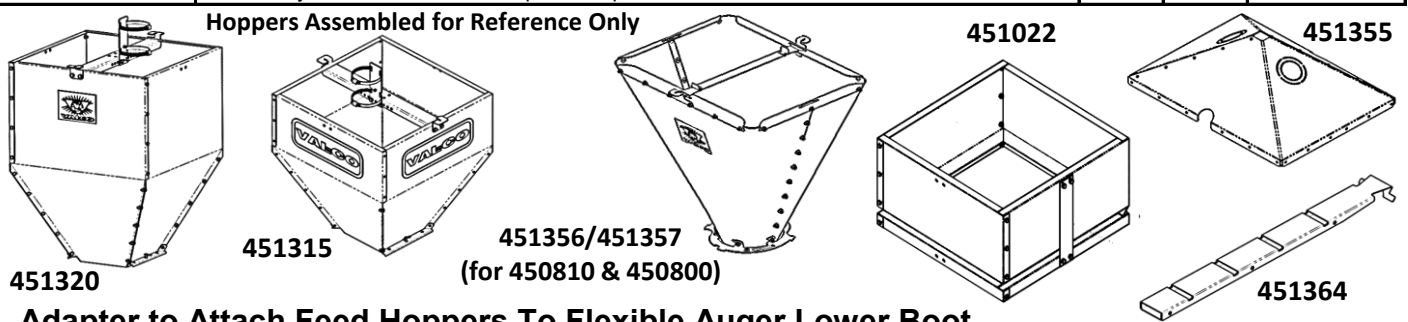
BOOTS - POULT FEED LINES

450810	Single Outlet Boot Assembly (use 100 or 200 lb. Galvanized Hopper or 150 lb. Poly Hopper)	0.0	0.0	
450800	Double Outlet Boot Assembly (use 100 or 200 lb. Galvanized Hopper or 150 lb. Poly Hopper)	17.2	7.8	



HOPPERS

451320	200 lb. Capacity Galvanized Feed Hopper, Slip-In	26.0	11.8	
451315	100 lb. Capacity Galvanized Feed Hopper, Slip-In	26.0	11.8	
451022	100 lb. Extension for Galvanized Feed Hopper (for 451315 or 451320)	7.4	3.4	
450804	Cover for Galvanized Feed Hopper	2.0	0.9	
451356	150 lb. Capacity Green Poly Feed Hopper Kit - Ships w/ Cone Assembled	4.5	2.0	
451357	150 lb. Capacity Green Poly Feed Hopper Kit - Ships w/ Cone Flat	4.5	2.0	
451355	150 lb. Capacity Green Poly Feed Hopper Lid	1.6	0.7	
460180	Hopper Suspension Kit, Slip-In * Only needed for boots sold prior to April 2018	0.3	0.1	



Adapter to Attach Feed Hoppers To Flexible Auger Lower Boot

730375	Lower boot adapter to attach to Broiler Feed Hoppers	0.0	0.0	
--------	--	-----	-----	--

Hopper Level Control and Boot Switch

460057	Hopper Level Control Switch - Proximity	0.0	0.0	
720097	Adjustable-Mechanical hopper level control 220V, 20amp, 1-3phase, 50-60hz	0.0	0.0	
451364	Galv. Hanger for 720097 (Hopper Level Switch) - use with Poly Hopper	2.9	1.3	
730965	Boot Safety Switch - Mechanical 110-220v, 20 amp, 1 phase, 50-60hz	0.0	0.0	
455800	Boot Safety Switch Proximity switch, 0-60 sec. delay, adj. sensitivity, 1P/220v/50-60	2.5	1.1	

DRIVES & AUGER

DIRECT DRIVE MOTOR & GEARBOX UNITS

60HZ - SINGLE PHASE - 115/230V

		SHIP WEIGHT		List Price
		LBS.	KG.	
450397	1/2 HP Direct Drive Motor & Gearbox - 226 RPM	0.8	0.4	
460025	1/2 HP Direct Drive Motor & Gearbox - 358 RPM	35.0	15.9	
450393	1/2 HP Direct Drive Motor & Gearbox - 441 RPM	0.0	0.0	
450287	1/2 HP Direct Drive Motor & Gearbox - 657 RPM	0.0	0.0	

DIRECT DRIVE MOTOR & GEARBOX UNITS

60HZ - 3 PHASE - 208-230/460V

450391	1/2 HP Direct Drive Motor & Gearbox - 358 RPM	0.0	0.0	
450395	1/2 HP Direct Drive Motor & Gearbox - 441 RPM	0.0	0.0	

DIRECT DRIVE MOTOR & GEARBOX UNITS

50HZ - SINGLE PHASE - 110/220V

450397	1/2 HP Direct Drive Motor & Gearbox - 187 RPM	0.8	0.4	
460025	1/2 HP Direct Drive Motor & Gearbox - 296 RPM	35.0	15.9	
450393	1/2 HP Direct Drive Motor & Gearbox - 368 RPM	0.0	0.0	
450287	1/2 HP Direct Drive Motor & Gearbox - 543 RPM	0.0	0.0	

DIRECT DRIVE MOTOR & GEARBOX UNITS

50HZ - 3 PHASE - 190/380V

450391	1/2 HP Direct Drive Motor & Gearbox - 296 RPM	0.0	0.0	
450395	1/2 HP Direct Drive Motor & Gearbox - 368 RPM	0.0	0.0	

PINION SPACER TOOL

740517	Pinion Spacer Tool	23.0	10.4	
--------	--------------------	------	------	--

AUGER

CATALOG #	ITEM DESCRIPTION	SHIP WEIGHT		List Price
		LBS.	KG.	
450450-205	205' Roll - 1.438" O.D. Auger	120.8	54.8	
450450-225	225' Roll - 1.438" O.D. Auger	127.8	57.9	
450450-245	245' Roll - 1.438" O.D. Auger	134.8	61.1	
450450-265	265' Roll - 1.438" O.D. Auger	141.5	64.2	
450450-285	285' Roll - 1.438" O.D. Auger	148.8	67.5	
450450-305	305' Roll - 1.438" O.D. Auger	0.0	0.0	
450450-325	325' Roll - 1.438" O.D. Auger	155.8	70.6	
450450-345	345' Roll - 1.438" O.D. Auger	162.8	73.8	
450450-365	365' Roll - 1.438" O.D. Auger	0.0	0.0	
450450-385	385' Roll - 1.438" O.D. Auger	169.8	77.0	
450450-405	405' Roll - 1.438" O.D. Auger	0.0	0.0	
450450-425	425' Roll - 1.438" O.D. Auger	176.8	80.2	
450450-445	445' Roll - 1.438" O.D. Auger	198.0	89.8	
450450-465	465' Roll - 1.438" O.D. Auger	210.0	95.3	
450450-485	485' Roll - 1.438" O.D. Auger	29.3	13.3	
450450-505	505' Roll - 1.438" O.D. Auger	0.0	0.0	
450450-540	540' Roll - 1.438" O.D. Auger	0.0	0.0	
450450-565	565' Roll - 1.438" O.D. Auger	0.0	0.0	
450450-600	600' Roll - 1.438" O.D. Auger	0.2	0.1	
450450-650	650' Roll - 1.438" O.D. Auger	0.0	0.0	

Auger must be ordered in full length rolls.

CONTROL PANS for POULT FEEDERS

CONTROL PANS - w/ith MECHANICAL SWITCH

CATALOG #	ITEM DESCRIPTION	SHIP WEIGHT		LIST PRICE
		LBS.	KG.	
820331	FE1800RS Fuze ProLine Feeder 14" Standard Pan, 5 Spoke Grill	0.29	0.13	
820332	FE1800RLS Fuze ProLine Feeder 14" Shallow Pan, 5 Spoke Grill	8.11	3.68	
450950	End House Control Pan Unit With Mechanical Switch For All Feeders except Fuze and Fuze ProLine Feeders	2.63	1.19	
820022	Bird Attracting LED Light For Control Pans (Universal)	0.42	0.19	

FUZE CONTROL PANS - w/ith PROXIMITY SWITCH

455923	FE1800RS Proximity Control Feeder 14" Standard Pan, 5 Spoke Grill	2.90	1.3	
455924	FE1800RLS Proximity Control Feeder 14" Shallow Pan, 5 Spoke Grill	2.90	1.3	

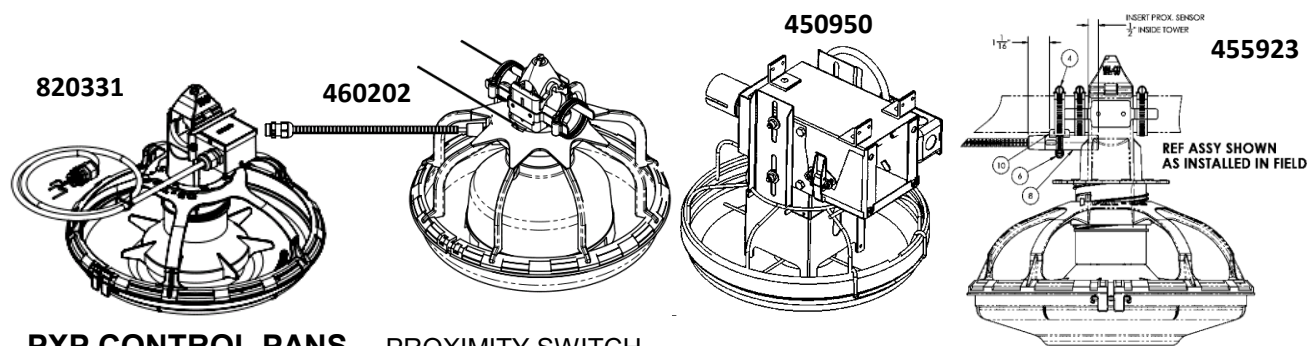
FUZE END CONTROL MOTOR MOUNT - MECHANICAL & PROXIMITY SENSOR CONTROL PANS

455960	End Control Motor Mount Plate With Electric Box - For All Fuze Pro Proximity Sensor or Mechanical Switch Control Pans ▶ SINGLE PHASE 60/50 HZ (With relay)	0.00	0.00	
455965	End Control Motor Mount Plate With Electric Box - For All Fuze Pro Proximity Sensor or Mechanical Switch Control Pans ▶ 1 or 3-PHASE 60/50 HZ (No relay)	1.68	0.76	

Note: 455960 or 455965 required for all Fuze & Fuze ProLine Proximity Sensor and Mechanical Control Pans used at end of feeder line.

FUZE MID LINE CONTROL PAN RELAY - MECHANICAL & PROXIMITY SENSOR CONTROL PANS

750671	Mid Line Control Pan Electric Box with Relay - For All Fuze Pro Proximity Sensor & Mechanical Switch Control Pans ▶ SINGLE PHASE 60/50 HZ	0.00	0.00	
--------	---	------	------	--



PXP CONTROL PANS - PROXIMITY SWITCH

460202	Turkey Starter Control Feeder High Capacity Pan, 8 Spoke Grill	0.36	0.2	
820022	Bird Attracting LED Light For Control Pans (Universal)	0.42	0.19	

END CONTROL MOTOR MOUNT - FOR PROXIMITY SENSOR CONTROL

450603	End Control Motor Mount Plate With Electric Box - For Proximity Sensor Control Pans - SINGLE PHASE 60/50 HZ	0.00	0.0	
450941	End Control Motor Mount Plate With Electric Box - For Proximity Sensor Control Pans - 3-PHASE 60/50 HZ	0.00	0.0	

*Note: 450603 or 450941 required for all PXP Proximity Sensor Control Pans when used at end of feeder line.
 Not required for mechanical switch end control pans.*

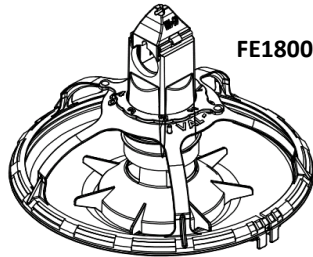
POULT PAN FEEDERS

Fuze ProLine® Feeders with One Piece Towers

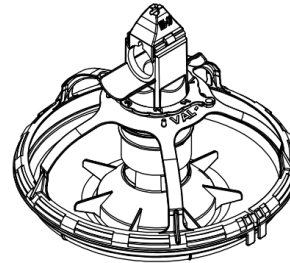
CATALOG #	ITEM DESCRIPTION	FEEDER	SHIP WEIGHT		LIST PRICE
			LBS.	KG.	
FE1800RS-1P	14" Fuze ProLine Standard Pan Assembly With 5 Spoke Grill	FLOOD	7.50	3.4	
FE1800RS-1PSO	With Shutoff		9.00	4.1	
FE1800RLS-1P	14" Fuze ProLine Shallow Pan Assembly With 5 Spoke Grill	FLOOD	0.00	0.0	
FE1800RLS-1PSO	With Shutoff		####	5.4	

Fuze ProLine® Feeders with Two Piece Towers (Standard Top)

FE1800RS	14" Fuze ProLine Standard Pan Assembly With 5 Spoke Grill	FLOOD	0.00	0.0	
FE1800RS-SO	With Shutoff		3.65	1.7	
FE1800RLS	14" Fuze ProLine Shallow Pan Assembly With 5 Spoke Grill	FLOOD	0.00	0.0	
FE1800RLS-SO	With Shutoff		5.10	2.3	



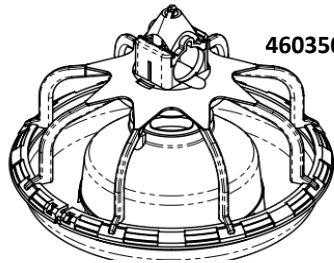
FE1800RLS



FE1800RS-SO

Turkey Starter Feeders

460350	Peak Poult Feeder, High Flood, Winchable Flood Shutoff - 8 Spoke, 13" Pan	0.00	0.0	
--------	---	------	-----	--



460350

POULT FEED TUBES - SMOOTH TUBE

SMOOTH TUBES (Tube Clamps Required)		SHIP WEIGHT		LIST PRICE
		LBS.	KG.	
CATALOG #	ITEM DESCRIPTION			
450224	9' Tube - 1 Hole	0.4	0.2	
450081	9' Tube - 2 Holes	7.6	3.4	
451033	9' Tube - 3 Holes	1.7	0.8	
450145	9' Tube - 4 Holes	0.0	0.0	
455076	9' Tube - 4 Holes + 4 Centered Best Start Holes	0.5	0.2	
451047	10' Tube - 0 Holes	6.8	3.1	
450082	10' Tube - 2 Holes	7.6	3.4	
450083	10' Tube - 3 Holes	7.6	3.4	
450084	10' Tube - 4 Holes	0.3	0.1	
450072	10' Tube - 3 Holes + 3 Centered Best Start Holes	1.2	0.5	
451032	10' Tube - 4 Holes + 2 Centered Best Start Holes	0.0	0.0	
450099	10' Tube - 4 Holes + 4 Centered Best Start Holes	4.4	2.0	

CONTROL SMOOTH TUBES (Tube Clamps Required)

455267	9' Tube - 1 Hole	6.8	3.1	
455269	9' Tube - 2 Holes	7.6	3.4	
455271	9' Tube - 3 Holes	7.5	3.4	
455202	9' Tube - 4 Holes	0.0	0.0	
455273	9' Tube - 4 Holes + 4 Centered Best Start Holes	7.5	3.4	
455275	10' Tube - 2 Holes	7.5	3.4	
455277	10' Tube - 3 Holes	7.5	3.4	
455205	10' Tube - 4 Holes	0.0	0.0	
455279	10' Tube - 3 Holes + 3 Centered Best Start Holes	9.0	4.1	
455281	10' Tube - 4 Holes + 2 Centered Best Start Holes	9.0	4.1	
455283	10' Tube - 4 Holes + 4 Centered Best Start Holes	7.5	3.4	

TUBE CLAMP & HANGERS

451040	1 3/4" Feeder Tube Clamp (Ribbed & Smooth)	8.0	3.6	
450123	Tube Hanger - for Smooth Tube	0.0	0.0	
450076	Tube Hanger - Scissors Type for Smooth Tube Only	7.2	3.3	

POULT FEED TUBES - RIBBED TUBE

RIBBED TUBES (Tube Clamps Required)

455626	9' Tube - 3 Holes	8.3	3.8	
450920	9' Tube - 4 Holes	1,164.0	528.0	
455627	9' Tube - 3 Holes + 3 Centered Best Start Holes	8.3	3.8	
451031	9' Tube - 4 Holes + 2 Centered Best Start Holes	0.4	0.2	
450921	9' Tube - 4 Holes + 4 Centered Best Start Holes	9.7	4.4	
451000	10' Tube - No Holes	0.0	0.0	
450908	10' Tube - 2 Holes	9.7	4.4	
450909	10' Tube - 3 Holes	1,164.0	528.0	
450910	10' Tube - 4 Holes	9.7	4.4	
450911	10' Tube - 3 Holes + 3 Centered Best Start Holes	1,164.0	528.0	
455625	10' Tube - 4 Holes + 2 Centered Best Start Holes	8.3	3.8	
450913	10' Tube - 4 Holes + 4 Centered Best Start Holes	9.7	4.4	
451005	12' Tube - 3 Holes	0.1	0.0	
451005-Q120	12' Tube - 3 Holes - 120 Piece Skid Quantity	0.3	0.1	
450924	12' Tube - 4 Holes	1,164.0	528.0	
450924-Q120	12' Tube - 4 Holes - 120 Piece Skid Quantity	0.0	0.0	
450925	12' Tube - 5 Holes	0.0	0.0	
450925-Q120	12' Tube - 5 Holes - 120 Piece Skid Quantity	0.0	0.0	
450926	12' Tube - 4 Holes + 4 Centered Best Start Holes	0.0	0.0	
450926-Q120	12' Tube - 4 Holes + 4 Centered Best Start Holes - QTY 120	0.0	0.0	

CONTROL RIBBED TUBES (Tube Clamps Required)

455628	9' Tube - 3 Holes	9.9	4.5	
455219	9' Tube - 4 Holes	0.0	0.0	
455629	9' Tube - 3 Holes + 3 Centered Best Start Holes	9.9	4.5	
455630	9' Tube - 4 Holes + 2 Centered Best Start Holes	9.9	4.5	
455223	10' Tube - 4 Holes	43.2	19.6	
455624	10' Tube - 4 Holes + 2 Centered Best Start Holes	7.4	3.4	
455248	10' Tube - 4 Holes + 4 Centered Best Start Holes	1.2	0.5	

TUBE CLAMP & HANGERS

451040	1 3/4" Feeder Tube Clamp (Ribbed & Smooth)	8.0	3.6	
450826	Tube Hanger - for Ribbed Tube	0.0	0.0	

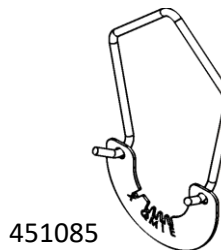
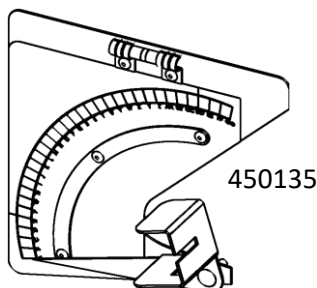
WINCHED FEED LEVEL - ANTI ROOST

ANTI-ROOST ITEMS

CATALOG #	ITEM DESCRIPTION	SHIP WEIGHT		LIST PRICE
		LBS.	KG.	
460075	Insulator Bracket & Tube Clamp Assembly - Adult Turkey Tube	0.0	0.0	
451042	Insulator Bracket & Tube Clamp Assembly - Poult Turkey Tube	14.8	6.7	
450437	Spring for Anti-Roost Shocker Wire	0.0	0.0	
VG342	1/16" Anti-Roost Wire	0.0	0.0	
VC353	1/16" Clamp for Anti-Roost Wire	0.0	0.0	
820461	Shocker Unit - 60hz - 110V	0.5	0.2	
820458	Shocker Unit - 50hz - 220V	0.0	0.0	
VR440	Shocker Unit - Solar	3.2	1.4	

WINCHED FEED LEVEL ADJUSTMENT ITEMS

CATALOG #	ITEM DESCRIPTION	SHIP WEIGHT		LIST PRICE
		LBS.	KG.	
460072	600 lb. Winch Kit - For Adult Turkey Tube For maximum recommended length of 200 feet (61 meters).	0.0	0.0	
460187	600 lb. Winch Kit - For Poult Turkey Tube For maximum recommended length of 200 feet (61 meters).	1.8	0.8	
460071	Adjuster Drop Cable	0.01	0.0	
VC355	3/16" Galvanized Cable Clamp	0.76	0.3	
VC343	1/8" Galvanized 7x7 Cable - per Foot	0.00	0.0	
820025	Solid Galvanized Wire - 12.5 gauge - Per Foot	0.03	0.0	



TUBE INDEXING

CATALOG #	ITEM DESCRIPTION	SHIP WEIGHT		LIST PRICE
		LBS.	KG.	
450135	Indexing Gauge Carton	0.00	0.0	
451085	Hanger Assembly for indexed ribbed tube.	2.10	1.0	



ADULT TURKEY - 3 PANS PER 20' OF TUBE - SINGLE BOOT / END FILL

Feed Line Length	Feed Line Length	Items to Select										Anti-Roost			Winched Feed Level Adjust.			
		End House Control Pan	1/2 HP Motor & Gearbox or Motor	Feed Hopper/Upper Hopper	Single Outlet Boot	Turkey Pan Feeder Station	10' Tube - 1 Hole (3/20')	10' Tube - 2 Holes (3/20')	Tube Clamp	Tube Hanger	1.438" OD Auger (Feet)	Insulator Bracket & Clamp	Spring for Anti-Roost Wire	1/16" Anti-Roost Wire	600 lb. Winch Kit	Adjuster Drop Cable	3/16" Galvanized Cable Clamp	1/8" Galvanized 7x7 Cable
Feet	Meter				460300		460121	460122	460022	720220	450450-	460075	450437	VG342	460072	460071	VC355	VC343
60	18	1	1	1	1	9	3	3	5	8	60	1	1	80	1	18	9	80
70	21	1	1	1	1	10	4	3	6	9	70	1	1	90	1	20	10	90
80	24	1	1	1	1	12	4	4	7	10	80	1	1	100	1	24	12	100
90	27	1	1	1	1	13	5	4	8	12	90	1	1	110	1	26	13	110
100	30	1	1	1	1	15	5	5	9	13	100	2	2	120	1	30	15	120
110	33	1	1	1	1	16	6	5	10	14	110	2	2	130	1	32	16	130
120	36	1	1	1	1	18	6	6	11	15	120	2	2	140	1	36	18	140
130	39	1	1	1	1	19	7	6	12	17	130	2	2	150	1	38	19	150
140	42	1	1	1	1	21	7	7	13	18	140	2	2	160	1	42	21	160
150	45	1	1	1	1	22	8	7	14	19	150	3	3	170	1	44	22	170
160	48	1	1	1	1	24	8	8	15	20	160	3	3	180	1	48	24	180
170	51	1	1	1	1	25	9	8	16	22	170	3	3	190	1	50	25	190
180	54	1	1	1	1	27	9	9	17	23	180	3	3	200	1	54	27	200
190	57	1	1	1	1	28	10	9	18	24	190	3	3	210	1	56	28	210
200	60	1	1	1	1	30	10	10	19	25	200	4	4	220	1	60	30	220
210	63	1	1	1	1	31	11	10	20	27	210	4	4	230	2	62	31	230
220	66	1	1	1	1	33	11	11	21	28	220	4	4	240	2	66	33	240
230	69	1	1	1	1	34	12	11	22	29	230	4	4	250	2	68	34	250
240	72	1	1	1	1	36	12	12	23	30	240	4	4	260	2	72	36	260
250	75	1	1	1	1	37	13	12	24	32	250	5	5	270	2	74	37	270
260	78	1	1	1	1	39	13	13	25	33	260	5	5	280	2	78	39	280
270	81	1	1	1	1	40	14	13	26	34	270	5	5	290	2	80	40	290
280	84	1	1	1	1	42	14	14	27	35	280	5	5	300	2	84	42	300
290	87	1	1	1	1	43	15	14	28	37	290	6	6	310	2	86	43	310
300	90	1	1	1	1	45	15	15	29	38	300	6	6	320	2	90	45	320
310	93	1	1	1	1	46	16	15	30	39	310	6	6	330	2	92	46	330
320	96	1	1	1	1	48	16	16	31	40	320	6	6	340	2	96	48	340
330	99	1	1	1	1	49	17	16	32	42	330	6	6	350	2	98	49	350
340	102	1	1	1	1	51	17	17	33	43	340	7	7	360	2	102	51	360
350	105	1	1	1	1	52	18	17	34	44	350	7	7	370	2	104	52	370
360	108	1	1	1	1	54	18	18	35	45	360	7	7	380	2	108	54	380
370	111	1	1	1	1	55	19	18	36	47	370	7	7	390	2	110	55	390
380	114	1	1	1	1	57	19	19	37	48	380	7	7	400	2	114	57	400
390	117	1	1	1	1	58	20	19	38	49	390	8	8	410	2	116	58	410
400	120	1	1	1	1	60	20	20	39	50	400	8	8	420	2	120	60	420
410	123	1	1	1	1	61	21	20	40	52	410	8	8	430	3	122	61	430
420	126	1	1	1	1	63	21	21	41	53	420	8	8	440	3	126	63	440
430	129	1	1	1	1	64	22	21	42	54	430	8	8	450	3	128	64	450
440	132	1	1	1	1	66	22	22	43	55	440	9	9	460	3	132	66	460
450	135	1	1	1	1	67	23	22	44	57	450	9	9	470	3	134	67	470
460	138	1	1	1	1	69	23	23	45	58	460	9	9	480	3	138	69	480
470	141	1	1	1	1	70	24	23	46	59	470	9	9	490	3	140	70	490
480	144	1	1	1	1	72	24	24	47	60	480	9	9	500	3	144	72	500
490	147	1	1	1	1	73	25	24	48	62	490	10	10	510	3	146	73	510
500	150	1	1	1	1	75	25	25	49	63	500	10	10	520	3	150	75	520



ADULT TURKEY - 3 PANS PER 20' OF TUBE - DOUBLE BOOT / CENTER FILL

Feed Line Length Feet	Feed Line Length Meter	Items to Select										Anti-Roost			Winched Feed Level Adjust.			
		End House Control Pan	1/2 HP Motor & Gearbox or Motor Feeder	Hopper/Upper Hopper	Double Outlet Boot	Turkey Pan Feeder Station	10' Tube - 1 Hole (3/20')	10' Tube - 2 Holes (3/20')	Tube Clamp	Tube Hanger	1.438" OD Auger (Feet)	Insulator Bracket & Clamp	Spring for Anti-Roost Wire	1/16" Anti-Roost Wire	600 lb. Winch Kit	Adjuster Drop Cable	3/16" Galvanized Cable Clamp	1/8" Galvanized 7x7 Cable
					460301		460121	460122	460022	720220	450450-	460075	450437	VG342	460072	460071	VC355	VC343
160	49	2	2	1	1	24	8	8	14	20	160	2	2	180	2	48	24	180
170	52	2	2	1	1	25	9	8	15	22	170	2	2	190	2	50	25	190
180	55	2	2	1	1	27	9	9	16	23	180	2	2	200	2	54	27	200
190	58	2	2	1	1	28	10	9	17	24	190	2	2	210	2	56	28	210
200	61	2	2	1	1	30	10	10	18	25	200	4	4	220	2	60	30	220
210	65	2	2	1	1	31	11	10	19	27	210	4	4	230	2	62	31	230
220	68	2	2	1	1	33	11	11	20	28	220	4	4	240	2	66	33	240
230	71	2	2	1	1	34	12	11	21	29	230	4	4	250	2	68	34	250
240	74	2	2	1	1	36	12	12	22	30	240	4	4	260	2	72	36	260
250	77	2	2	1	1	37	13	12	23	32	250	4	4	270	2	74	37	270
260	80	2	2	1	1	39	13	13	24	33	260	4	4	280	2	78	39	280
270	83	2	2	1	1	40	14	13	25	34	270	4	4	290	2	80	40	290
280	86	2	2	1	1	42	14	14	26	35	280	4	4	300	2	84	42	300
290	89	2	2	1	1	43	15	14	27	37	290	4	4	310	2	86	43	310
300	92	2	2	1	1	45	15	15	28	38	300	6	6	320	2	90	45	320
310	95	2	2	1	1	46	16	15	29	39	310	6	6	330	2	92	46	330
320	98	2	2	1	1	48	16	16	30	40	320	6	6	340	2	96	48	340
330	101	2	2	1	1	49	17	16	31	42	330	6	6	350	2	98	49	350
340	104	2	2	1	1	51	17	17	32	43	340	6	6	360	2	102	51	360
350	107	2	2	1	1	52	18	17	33	44	350	6	6	370	2	104	52	370
360	110	2	2	1	1	54	18	18	34	45	360	6	6	380	2	108	54	380
370	113	2	2	1	1	55	19	18	35	47	370	6	6	390	2	110	55	390
380	116	2	2	1	1	57	19	19	36	48	380	6	6	400	2	114	57	400
390	119	2	2	1	1	58	20	19	37	49	390	8	8	410	2	116	58	410
400	122	2	2	1	1	60	20	20	38	50	400	8	8	420	2	120	60	420
410	125	2	2	1	1	61	21	20	39	52	410	8	8	430	4	122	61	430
420	129	2	2	1	1	63	21	21	40	53	420	8	8	440	4	126	63	440
430	132	2	2	1	1	64	22	21	41	54	430	8	8	450	4	128	64	450
440	135	2	2	1	1	66	22	22	42	55	440	8	8	460	4	132	66	460
450	138	2	2	1	1	67	23	22	43	57	450	8	8	470	4	134	67	470
460	141	2	2	1	1	69	23	23	44	58	460	8	8	480	4	138	69	480
470	144	2	2	1	1	70	24	23	45	59	470	8	8	490	4	140	70	490
480	147	2	2	1	1	72	24	24	46	60	480	8	8	500	4	144	72	500
490	150	2	2	1	1	73	25	24	47	62	490	10	10	510	4	146	73	510
500	153	2	2	1	1	75	25	25	48	63	500	10	10	520	4	150	75	520
510	156	2	2	1	1	76	26	25	49	64	510	10	10	530	4	152	76	530
520	159	2	2	1	1	78	26	26	50	65	520	10	10	540	4	156	78	540
530	162	2	2	1	1	79	27	26	51	67	530	10	10	550	4	158	79	550
540	165	2	2	1	1	81	27	27	52	68	540	10	10	560	4	162	81	560
550	168	2	2	1	1	82	28	27	53	69	550	10	10	570	4	164	82	570
560	171	2	2	1	1	84	28	28	54	70	560	10	10	580	4	168	84	580
570	174	2	2	1	1	85	29	28	55	72	570	10	10	590	4	170	85	590
580	177	2	2	1	1	87	29	29	56	73	580	12	12	600	4	174	87	600
590	180	2	2	1	1	88	30	29	57	74	590	12	12	610	4	176	88	610
600	183	2	2	1	1	90	30	30	58	75	600	12	12	620	4	180	90	620

ADULT TURKEY - 2 or 3 PANS PER 10' TUBE - SINGLE BOOT / END FILL

Feed Line Length	Feed Line Length	Items to Select										Anti-Roost			Winched Feed Level Adjust.					
		End House Control Pan	1/2 HP Motor & Gearbox or Motor	Feed Hopper/Upper Hopper	Single Outlet Boot	Turkey Pan Feeder Station	2 Hole - 460102 3 Hole - 460123	Tube Clamp	Tube Hanger	1.438" OD Auger (Feet)	Insulator Bracket & Clamp	Spring for Anti-Roost Wire	1/16" Anti-Roost Wire	600 lb. Winch Kit	Adjuster Drop Cable 2 Pan / 3 Pan	3/16" Galvanized Cable Clamp 2 Pan / 3 Pan	1/8" Galvanized 7X7 Cable			
Feet	Meter				460300	2 Pan	3 Pan	10' Tube	460022	720220	450450-	460075	450437	VG342	460072	460071	VC355	VC343		
60	18	1	1	1	1	12	18	6	5	8	60	1	1	80	1	24	36	12	18	80
70	21	1	1	1	1	14	21	7	6	9	70	1	1	90	1	28	42	14	21	90
80	24	1	1	1	1	16	24	8	7	10	80	1	1	100	1	32	48	16	24	100
90	27	1	1	1	1	18	27	9	8	12	90	1	1	110	1	36	54	18	27	110
100	30	1	1	1	1	20	30	10	9	13	100	2	2	120	1	40	60	20	30	120
110	33	1	1	1	1	22	33	11	10	14	110	2	2	130	1	44	66	22	33	130
120	36	1	1	1	1	24	36	12	11	15	120	2	2	140	1	48	72	24	36	140
130	39	1	1	1	1	26	39	13	12	17	130	2	2	150	1	52	78	26	39	150
140	42	1	1	1	1	28	42	14	13	18	140	2	2	160	1	56	84	28	42	160
150	45	1	1	1	1	30	45	15	14	19	150	3	3	170	1	60	90	30	45	170
160	48	1	1	1	1	32	48	16	15	20	160	3	3	180	1	64	96	32	48	180
170	51	1	1	1	1	34	51	17	16	22	170	3	3	190	1	68	102	34	51	190
180	54	1	1	1	1	36	54	18	17	23	180	3	3	200	1	72	108	36	54	200
190	57	1	1	1	1	38	57	19	18	24	190	3	3	210	1	76	114	38	57	210
200	60	1	1	1	1	40	60	20	19	25	200	4	4	220	1	80	120	40	60	220
210	63	1	1	1	1	42	63	21	20	27	210	4	4	230	2	84	126	42	63	230
220	66	1	1	1	1	44	66	22	21	28	220	4	4	240	2	88	132	44	66	240
230	69	1	1	1	1	46	69	23	22	29	230	4	4	250	2	92	138	46	69	250
240	72	1	1	1	1	48	72	24	23	30	240	4	4	260	2	96	144	48	72	260
250	75	1	1	1	1	50	75	25	24	32	250	5	5	270	2	100	150	50	75	270
260	78	1	1	1	1	52	78	26	25	33	260	5	5	280	2	104	156	52	78	280
270	81	1	1	1	1	54	81	27	26	34	270	5	5	290	2	108	162	54	81	290
280	84	1	1	1	1	56	84	28	27	35	280	5	5	300	2	112	168	56	84	300
290	87	1	1	1	1	58	87	29	28	37	290	6	6	310	2	116	174	58	87	310
300	90	1	1	1	1	60	90	30	29	38	300	6	6	320	2	120	180	60	90	320
310	93	1	1	1	1	62	93	31	30	39	310	6	6	330	2	124	186	62	93	330
320	96	1	1	1	1	64	96	32	31	40	320	6	6	340	2	128	192	64	96	340
330	99	1	1	1	1	66	99	33	32	42	330	6	6	350	2	132	198	66	99	350
340	102	1	1	1	1	68	102	34	33	43	340	7	7	360	2	136	204	68	102	360
350	105	1	1	1	1	70	105	35	34	44	350	7	7	370	2	140	210	70	105	370
360	108	1	1	1	1	72	108	36	35	45	360	7	7	380	2	144	216	72	108	380
370	111	1	1	1	1	74	111	37	36	47	370	7	7	390	2	148	222	74	111	390
380	114	1	1	1	1	76	114	38	37	48	380	7	7	400	2	152	228	76	114	400
390	117	1	1	1	1	78	117	39	38	49	390	8	8	410	2	156	234	78	117	410
400	120	1	1	1	1	80	120	40	39	50	400	8	8	420	2	160	240	80	120	420
410	123	1	1	1	1	82	123	41	40	52	410	8	8	430	3	164	246	82	123	430
420	126	1	1	1	1	84	126	42	41	53	420	8	8	440	3	168	252	84	126	440
430	129	1	1	1	1	86	129	43	42	54	430	8	8	450	3	172	258	86	129	450
440	132	1	1	1	1	88	132	44	43	55	440	9	9	460	3	176	264	88	132	460
450	135	1	1	1	1	90	135	45	44	57	450	9	9	470	3	180	270	90	135	470
460	138	1	1	1	1	92	138	46	45	58	460	9	9	480	3	184	276	92	138	480
470	141	1	1	1	1	94	141	47	46	59	470	9	9	490	3	188	282	94	141	490
480	144	1	1	1	1	96	144	48	47	60	480	9	9	500	3	192	288	96	144	500
490	147	1	1	1	1	98	147	49	48	62	490	10	10	510	3	196	294	98	147	510
500	150	1	1	1	1	100	150	50	49	63	500	10	10	520	3	200	300	100	150	520



ADULT TURKEY - 2 or 3 PANS PER 10' TUBE - DOUBLE BOOT / CENTER FILL

Feed Line Length	Feed Line Length	Items to Select										Anti-Roost			Winched Feed Level Adjust.					
		End House Control Pan	1/2 HP Motor & Gearbox or Motor	Feed Hopper/Upper Hopper	Single Outlet Boot	Turkey Pan Feeder Station		2 Hole - 460102 3 Hole - 460123		Tube Clamp	Tube Hanger	1.438" OD Auger (Feet)	Insulator Bracket & Clamp	Spring for Anti-Roost Wire	1/16" Anti-Roost Wire	600 lb. Winch Kit	Adjuster Drop Cable 2 Pan / 3 Pan		3/16" Galvanized Cable Clamp 2 Pan / 3 Pan	
Feet	Meter				460300	2 Pan	3 Pan	10' Tube	460022	720220	450450-	460075	450437	VG342	460072	460071		VC355		VC343
160	49	2	2	1	1	32	48	16	14	20	160	2	2	180	2	64	96	32	48	180
170	52	2	2	1	1	34	51	17	15	22	170	2	2	190	2	68	102	34	51	190
180	55	2	2	1	1	36	54	18	16	23	180	2	2	200	2	72	108	36	54	200
190	58	2	2	1	1	38	57	19	17	24	190	2	2	210	2	76	114	38	57	210
200	61	2	2	1	1	40	60	20	18	25	200	4	4	220	2	80	120	40	60	220
210	64	2	2	1	1	42	63	21	19	27	210	4	4	230	2	84	126	42	63	230
220	67	2	2	1	1	44	66	22	20	28	220	4	4	240	2	88	132	44	66	240
230	70	2	2	1	1	46	69	23	21	29	230	4	4	250	2	92	138	46	69	250
240	73	2	2	1	1	48	72	24	22	30	240	4	4	260	2	96	144	48	72	260
250	76	2	2	1	1	50	75	25	23	32	250	4	4	270	2	100	150	50	75	270
260	79	2	2	1	1	52	78	26	24	33	260	4	4	280	2	104	156	52	78	280
270	82	2	2	1	1	54	81	27	25	34	270	4	4	290	2	108	162	54	81	290
280	85	2	2	1	1	56	84	28	26	35	280	4	4	300	2	112	168	56	84	300
290	88	2	2	1	1	58	87	29	27	37	290	4	4	310	2	116	174	58	87	310
300	91	2	2	1	1	60	90	30	28	38	300	6	6	320	2	120	180	60	90	320
310	94	2	2	1	1	62	93	31	29	39	310	6	6	330	2	124	186	62	93	330
320	97	2	2	1	1	64	96	32	30	40	320	6	6	340	2	128	192	64	96	340
330	100	2	2	1	1	66	99	33	31	42	330	6	6	350	2	132	198	66	99	350
340	103	2	2	1	1	68	102	34	32	43	340	6	6	360	2	136	204	68	102	360
350	106	2	2	1	1	70	105	35	33	44	350	6	6	370	2	140	210	70	105	370
360	109	2	2	1	1	72	108	36	34	45	360	6	6	380	2	144	216	72	108	380
370	112	2	2	1	1	74	111	37	35	47	370	6	6	390	2	148	222	74	111	390
380	115	2	2	1	1	76	114	38	36	48	380	6	6	400	2	152	228	76	114	400
390	118	2	2	1	1	78	117	39	37	49	390	8	8	410	2	156	234	78	117	410
400	121	2	2	1	1	80	120	40	38	50	400	8	8	420	2	160	240	80	120	420
410	124	2	2	1	1	82	123	41	39	52	410	8	8	430	4	164	246	82	123	430
420	127	2	2	1	1	84	126	42	40	53	420	8	8	440	4	168	252	84	126	440
430	130	2	2	1	1	86	129	43	41	54	430	8	8	450	4	172	258	86	129	450
440	133	2	2	1	1	88	132	44	42	55	440	8	8	460	4	176	264	88	132	460
450	136	2	2	1	1	90	135	45	43	57	450	8	8	470	4	180	270	90	135	470
460	139	2	2	1	1	92	138	46	44	58	460	8	8	480	4	184	276	92	138	480
470	142	2	2	1	1	94	141	47	45	59	470	8	8	490	4	188	282	94	141	490
480	145	2	2	1	1	96	144	48	46	60	480	8	8	500	4	192	288	96	144	500
490	148	2	2	1	1	98	147	49	47	62	490	10	10	510	4	196	294	98	147	510
500	151	2	2	1	1	100	150	50	48	63	500	10	10	520	4	200	300	100	150	520
510	154	2	2	1	1	102	153	51	49	64	510	10	10	530	4	204	306	102	153	530
520	157	2	2	1	1	104	156	52	50	65	520	10	10	540	4	208	312	104	156	540
530	160	2	2	1	1	106	159	53	51	67	530	10	10	550	4	212	318	106	159	550
540	163	2	2	1	1	108	162	54	52	68	540	10	10	560	4	216	324	108	162	560
550	166	2	2	1	1	110	165	55	53	69	550	10	10	570	4	220	330	110	165	570
560	169	2	2	1	1	112	168	56	54	70	560	10	10	580	4	224	336	112	168	580
570	172	2	2	1	1	114	171	57	55	72	570	10	10	590	4	228	342	114	171	590
580	175	2	2	1	1	116	174	58	56	73	580	12	12	600	4	232	348	116	174	600
590	178	2	2	1	1	118	177	59	57	74	590	12	12	610	4	236	354	118	177	610
600	181	2	2	1	1	120	180	60	58	75	600	12	12	620	4	240	360	120	180	620

POULT TURKEY - 2/3/4 PANS PER 9' TUBE - SINGLE BOOT / END FILL

Feed Line Length	Feed Line Length	Items to Select											Anti-Roost			Winched Feed Level			
		End House Control Pan	1/2 HP Motor & Gearbox	Feed Hopper	Single Outlet Boot	Pan Feeder Assy (Page 17-07 for options)			9' Tube	1.75" Tube Clamp (Ribbed or Smooth)	1.75" Tube Hanger Ribbed - 450826 Smooth - 450123 / 450076	1.438" OD Auger (Feet)	Insulator Bracket & Clamp	Spring for Anti-Roost Wire	1/16" Anti-Roost Wire	600 lb. Winch Kit 460187			12.5 Gauge Solid Galvanized Wire
						450810	2 Pan	3 Pan								4 Pan	451040	450450-	
Feet	Meter																		
108	33	1	1	1	1	24	36	48	12	11	14	108	2	2	130	1	1	1	108
117	36	1	1	1	1	26	39	52	13	12	15	117	2	2	140	1	1	1	90
126	39	1	1	1	1	28	42	56	14	13	16	126	2	2	150	1	1	1	100
135	42	1	1	1	1	30	45	60	15	14	17	135	2	2	160	1	1	1	110
144	45	1	1	1	1	32	48	64	16	15	18	144	3	3	170	1	1	1	120
153	48	1	1	1	1	34	51	68	17	16	20	153	3	3	180	1	1	1	130
162	51	1	1	1	1	36	54	72	18	17	21	162	3	3	190	1	1	1	140
171	54	1	1	1	1	38	57	76	19	18	22	171	3	3	200	1	1	1	150
180	57	1	1	1	1	40	60	80	20	19	23	180	3	3	200	1	1	1	160
189	60	1	1	1	1	42	63	84	21	20	24	189	4	4	210	1	1	1	170
198	63	1	1	1	1	44	66	88	22	21	25	198	4	4	220	1	1	1	180
207	66	1	1	1	1	46	69	92	23	22	26	207	4	4	230	2	2	2	190
216	69	1	1	1	1	48	72	96	24	23	27	216	4	4	240	2	2	2	200
225	72	1	1	1	1	50	75	100	25	24	29	225	4	4	250	2	2	2	210
234	75	1	1	1	1	52	78	104	26	25	30	234	5	5	260	2	2	2	220
243	78	1	1	1	1	54	81	108	27	26	31	243	5	5	270	2	2	2	230
252	81	1	1	1	1	56	84	112	28	27	32	252	5	5	280	2	2	2	240
261	84	1	1	1	1	58	87	116	29	28	33	261	5	5	290	2	2	2	250
270	87	1	1	1	1	60	90	120	30	29	34	270	5	5	290	2	2	2	260
279	90	1	1	1	1	62	93	124	31	30	35	279	6	6	300	2	2	2	270
288	93	1	1	1	1	64	96	128	32	31	36	288	6	6	310	2	2	2	280
297	96	1	1	1	1	66	99	132	33	32	38	297	6	6	320	2	2	2	290
306	99	1	1	1	1	68	102	136	34	33	39	306	6	6	330	2	2	2	300
315	102	1	1	1	1	70	105	140	35	34	40	315	6	6	340	2	2	2	310
324	105	1	1	1	1	72	108	144	36	35	41	324	7	7	350	2	2	2	320
333	108	1	1	1	1	74	111	148	37	36	42	333	7	7	360	2	2	2	330
342	111	1	1	1	1	76	114	152	38	37	43	342	7	7	370	2	2	2	340
351	114	1	1	1	1	78	117	156	39	38	44	351	7	7	380	2	2	2	350
360	117	1	1	1	1	80	120	160	40	39	45	360	7	7	380	2	2	2	360
369	120	1	1	1	1	82	123	164	41	40	47	369	8	8	390	2	2	2	370
378	123	1	1	1	1	84	126	168	42	41	48	378	8	8	400	2	2	2	380
387	126	1	1	1	1	86	129	172	43	42	49	387	8	8	410	2	2	2	390
396	129	1	1	1	1	88	132	176	44	43	50	396	8	8	420	2	2	2	400
405	132	1	1	1	1	90	135	180	45	44	51	405	8	8	430	3	3	3	410
414	135	1	1	1	1	92	138	184	46	45	52	414	9	9	440	3	3	3	420
423	138	1	1	1	1	94	141	188	47	46	53	423	9	9	450	3	3	3	430
432	141	1	1	1	1	96	144	192	48	47	54	432	9	9	460	3	3	3	440
441	144	1	1	1	1	98	147	196	49	48	56	441	9	9	470	3	3	3	450
450	147	1	1	1	1	100	150	200	50	49	57	450	9	9	470	3	3	3	460
459	150	1	1	1	1	102	153	204	51	50	58	459	10	10	480	3	3	3	470
468	153	1	1	1	1	104	156	208	52	51	59	468	10	10	490	3	3	3	480
477	156	1	1	1	1	106	159	212	53	52	60	477	10	10	500	3	3	3	490
486	159	1	1	1	1	108	162	216	54	53	61	486	10	10	510	3	3	3	500
495	162	1	1	1	1	110	165	220	55	54	62	495	10	10	520	3	3	3	510
504	165	1	1	1	1	112	168	224	56	55	63	504	11	11	530	3	3	3	520



POULT TURKEY - 2/3/4 PANS PER 9' TUBE - DOUBLE BOOT / CENTER FILL

Feed Line Length	Feed Line Length	Items to Select											Anti-Roost			Winched Feed Level			
		End House Control Pan	1/2 HP Motor & Gearbox	Feed Hopper	Double Outlet Boot	Pan Feeder Assy (Page 17-07 for options)			9' Tube	1.75" Tube Clamp (Ribbed or Smooth)	1.75" Tube Hanger Ribbed - 450826 Smooth - 450123 / 450076	1.438" OD Auger (Feet)	Insulator Bracket & Clamp	Spring for Anti-Roost Wire	1/16" Anti-Roost Wire	600 lb. Winch Kit 460187			12.5 Gauge Solid Galvanized Wire
Feet	Meter				450800	2 Pan	3 Pan	4 Pan		451040		450450-	451042	450437	VG342	2 Pan	3 Pan	4 Pan	820025
198	60	2	2	1	1	44	66	88	22	18	25	198	4	4	220	2	2	2	198
207	63	2	2	1	1	46	69	92	23	19	26	207	4	4	230	2	2	2	207
216	66	2	2	1	1	48	72	96	24	20	27	216	4	4	240	2	2	2	216
225	69	2	2	1	1	50	75	100	25	21	28	225	4	4	250	2	2	2	225
234	72	2	2	1	1	52	78	104	26	22	29	234	4	4	260	2	2	2	234
243	75	2	2	1	1	54	81	108	27	23	30	243	4	4	270	2	2	2	243
252	78	2	2	1	1	56	84	112	28	24	32	252	4	4	280	2	2	2	252
261	81	2	2	1	1	58	87	116	29	25	33	261	4	4	290	2	2	2	261
270	84	2	2	1	1	60	90	120	30	26	34	270	4	4	290	2	2	2	270
279	87	2	2	1	1	62	93	124	31	25	35	279	6	6	300	2	2	2	279
288	90	2	2	1	1	64	96	128	32	26	36	288	6	6	310	2	2	2	288
297	93	2	2	1	1	66	99	132	33	27	37	297	6	6	320	2	2	2	297
306	96	2	2	1	1	68	102	136	34	28	38	306	6	6	330	2	2	2	306
315	99	2	2	1	1	70	105	140	35	29	39	315	6	6	340	2	2	2	315
324	102	2	2	1	1	72	108	144	36	30	41	324	6	6	350	2	2	2	324
333	105	2	2	1	1	74	111	148	37	31	42	333	6	6	360	2	2	2	333
342	108	2	2	1	1	76	114	152	38	32	43	342	6	6	370	2	2	2	342
351	111	2	2	1	1	78	117	156	39	33	44	351	6	6	380	2	2	2	351
360	114	2	2	1	1	80	120	160	40	34	45	360	6	6	380	2	2	2	360
369	117	2	2	1	1	82	123	164	41	33	46	369	8	8	390	2	2	2	369
378	120	2	2	1	1	84	126	168	42	34	47	378	8	8	400	2	2	2	378
387	123	2	2	1	1	86	129	172	43	35	48	387	8	8	410	2	2	2	387
396	126	2	2	1	1	88	132	176	44	36	50	396	8	8	420	2	2	2	396
405	129	2	2	1	1	90	135	180	45	37	51	405	8	8	430	4	4	4	405
414	132	2	2	1	1	92	138	184	46	38	52	414	8	8	440	4	4	4	414
423	135	2	2	1	1	94	141	188	47	39	53	423	8	8	450	4	4	4	423
432	138	2	2	1	1	96	144	192	48	40	54	432	8	8	460	4	4	4	432
441	141	2	2	1	1	98	147	196	49	41	55	441	8	8	470	4	4	4	441
450	144	2	2	1	1	100	150	200	50	42	56	450	8	8	470	4	4	4	450
459	147	2	2	1	1	102	153	204	51	41	57	459	10	10	480	4	4	4	459
468	150	2	2	1	1	104	156	208	52	42	59	468	10	10	490	4	4	4	468
477	153	2	2	1	1	106	159	212	53	43	60	477	10	10	500	4	4	4	477
486	156	2	2	1	1	108	162	216	54	44	61	486	10	10	510	4	4	4	486
495	159	2	2	1	1	110	165	220	55	45	62	495	10	10	520	4	4	4	495
504	162	2	2	1	1	112	168	224	56	46	63	504	10	10	530	4	4	4	504
513	165	2	2	1	1	114	171	228	57	47	64	513	10	10	540	4	4	4	513
522	168	2	2	1	1	116	174	232	58	48	65	522	10	10	550	4	4	4	522
531	171	2	2	1	1	118	177	236	59	49	66	531	10	10	560	4	4	4	531
540	174	2	2	1	1	120	180	240	60	50	68	540	10	10	560	4	4	4	540
549	177	2	2	1	1	122	183	244	61	49	69	549	12	12	570	4	4	4	549
558	180	2	2	1	1	124	186	248	62	50	70	558	12	12	580	4	4	4	558
567	183	2	2	1	1	126	189	252	63	51	71	567	12	12	590	4	4	4	567
576	186	2	2	1	1	128	192	256	64	52	72	576	12	12	600	4	4	4	576
585	189	2	2	1	1	130	195	260	65	53	73	585	12	12	610	4	4	4	585
594	192	2	2	1	1	132	198	264	66	54	74	594	12	12	620	4	4	4	594



POULT TURKEY - 2/3/4 PANS PER 10' TUBE - SINGLE BOOT / END FILL

Feed Line Length		Items to Select											Anti-Roost			Winched Feed Level			
		End House Control Pan <small>(Page 17-06 for Options)</small>	1/2 HP Motor & Gearbox <small>(Page 17-05 for options)</small>	Feed Hopper <small>(Page 17-04 for Options)</small>	Single Outlet Boot	Pan Feeder Assy <small>(Page 17-07 for options)</small>			10' Tube <small>(Page 17-08 for Options)</small>	1.75" Tube Clamp <small>(Ribbed or Smooth)</small>	1.75" Tube Hanger <small>Ribbed - 450826 Smooth - 450123 / 450076</small>	1.438" OD Auger <small>(Feet)</small>	Insulator Bracket & Clamp	Spring for Anti-Roost Wire	1/16" Anti-Roost Wire	600 lb. Winch Kit 460187			12.5 Gauge Solid Galvanized Wire
Feet	Meter				450810	2 Pan	3 Pan	4 Pan		451040		450450-	451042	450437	VG342	2 Pan	3 Pan	4 Pan	820025
60	18	1	1	1	1	12	18	24	6	5	8	60	1	1	80	1	1	1	60
70	21	1	1	1	1	14	21	28	7	6	9	70	1	1	90	1	1	1	70
80	24	1	1	1	1	16	24	32	8	7	10	80	1	1	100	1	1	1	80
90	28	1	1	1	1	18	27	36	9	8	11	90	1	1	110	1	1	1	90
100	31	1	1	1	1	20	30	40	10	9	13	100	1	1	120	1	1	1	100
110	34	1	1	1	1	22	33	44	11	9	14	110	2	2	130	1	1	1	110
120	37	1	1	1	1	24	36	48	12	10	15	120	2	2	140	1	1	1	120
130	40	1	1	1	1	26	39	52	13	11	16	130	2	2	150	1	1	1	130
140	43	1	1	1	1	28	42	56	14	12	18	140	2	2	160	1	1	1	140
150	46	1	1	1	1	30	45	60	15	13	19	150	2	2	170	1	1	1	150
160	49	1	1	1	1	32	48	64	16	13	20	160	3	3	180	1	1	1	160
170	52	1	1	1	1	34	51	68	17	14	21	170	3	3	190	1	1	1	170
180	55	1	1	1	1	36	54	72	18	15	23	180	3	3	200	1	1	1	180
190	58	1	1	1	1	38	57	76	19	16	24	190	3	3	210	1	1	1	190
200	61	1	1	1	1	40	60	80	20	17	25	200	3	3	220	1	1	1	200
210	64	1	1	1	1	42	63	84	21	17	26	210	4	4	230	2	2	2	210
220	67	1	1	1	1	44	66	88	22	18	28	220	4	4	240	2	2	2	220
230	70	1	1	1	1	46	69	92	23	19	29	230	4	4	250	2	2	2	230
240	73	1	1	1	1	48	72	96	24	20	30	240	4	4	260	2	2	2	240
250	76	1	1	1	1	50	75	100	25	21	31	250	4	4	270	2	2	2	250
260	79	1	1	1	1	52	78	104	26	21	33	260	5	5	280	2	2	2	260
270	82	1	1	1	1	54	81	108	27	22	34	270	5	5	290	2	2	2	270
280	85	1	1	1	1	56	84	112	28	23	35	280	5	5	300	2	2	2	280
290	88	1	1	1	1	58	87	116	29	24	36	290	5	5	310	2	2	2	290
300	92	1	1	1	1	60	90	120	30	25	38	300	5	5	320	2	2	2	300
310	95	1	1	1	1	62	93	124	31	25	39	310	6	6	330	2	2	2	310
320	98	1	1	1	1	64	96	128	32	26	40	320	6	6	340	2	2	2	320
330	101	1	1	1	1	66	99	132	33	27	41	330	6	6	350	2	2	2	330
340	104	1	1	1	1	68	102	136	34	28	43	340	6	6	360	2	2	2	340
350	107	1	1	1	1	70	105	140	35	29	44	350	6	6	370	2	2	2	350
360	110	1	1	1	1	72	108	144	36	29	45	360	7	7	380	2	2	2	360
370	113	1	1	1	1	74	111	148	37	30	46	370	7	7	390	2	2	2	370
380	116	1	1	1	1	76	114	152	38	31	48	380	7	7	400	2	2	2	380
390	119	1	1	1	1	78	117	156	39	32	49	390	7	7	410	2	2	2	390
400	122	1	1	1	1	80	120	160	40	33	50	400	7	7	420	2	2	2	400
410	125	1	1	1	1	82	123	164	41	33	51	410	8	8	430	3	3	3	410
420	128	1	1	1	1	84	126	168	42	34	53	420	8	8	440	3	3	3	420
430	131	1	1	1	1	86	129	172	43	35	54	430	8	8	450	3	3	3	430
440	134	1	1	1	1	88	132	176	44	36	55	440	8	8	460	3	3	3	440
450	137	1	1	1	1	90	135	180	45	37	56	450	8	8	470	3	3	3	450
460	140	1	1	1	1	92	138	184	46	37	58	460	9	9	480	3	3	3	460
470	143	1	1	1	1	94	141	188	47	38	59	470	9	9	490	3	3	3	470
480	146	1	1	1	1	96	144	192	48	39	60	480	9	9	500	3	3	3	480
490	149	1	1	1	1	98	147	196	49	40	61	490	9	9	510	3	3	3	490
500	153	1	1	1	1	100	150	200	50	41	63	500	9	9	520	3	3	3	500



POULT TURKEY - 2/3/4 PANS PER 10' TUBE - DOUBLE BOOT / CENTER FILL

Feed Line Length		Items to Select											Anti-Roost			Winched Feed Level			
Feet	Meter	End House Control Pan <i>(Page 17-06 for Options)</i>	1/2 HP Motor & Gearbox <i>(Page 17-05 for options)</i>	Feed Hopper <i>(Page 17-04 for Options)</i>	Double Outlet Boot	Pan Feeder Assy <i>(Page 17-07 for options)</i>			10' Tube <i>(Page 17-08 for Options)</i>	1.75" Tube Clamp <i>(Ribbed or Smooth)</i>	1.75" Tube Hanger Ribbed - 450826 Smooth - 450123 / 450076	1.438" OD Auger (Feet)	Insulator Bracket & Clamp	Spring for Anti-Roost Wire	1/16" Anti-Roost Wire	600 lb. Winch Kit 460187			12.5 Gauge Solid Galvanized Wire
					450800	2 Pan	3 Pan	4 Pan		451040		450450-	451042	450437	VG342	2 Pan	3 Pan	4 Pan	820025
160	49	2	2	1	1	32	48	64	16	14	20	160	2	2	180	2	2	2	160
170	52	2	2	1	1	34	51	68	17	15	21	170	2	2	190	2	2	2	170
180	55	2	2	1	1	36	54	72	18	16	23	180	2	2	200	2	2	2	180
190	58	2	2	1	1	38	57	76	19	17	24	190	2	2	210	2	2	2	190
200	61	2	2	1	1	40	60	80	20	18	25	200	2	2	220	2	2	2	200
210	64	2	2	1	1	42	63	84	21	19	26	210	4	4	230	2	2	2	210
220	67	2	2	1	1	44	66	88	22	20	28	220	4	4	240	2	2	2	220
230	70	2	2	1	1	46	69	92	23	21	29	230	4	4	250	2	2	2	230
240	73	2	2	1	1	48	72	96	24	22	30	240	4	4	260	2	2	2	240
250	76	2	2	1	1	50	75	100	25	23	31	250	4	4	270	2	2	2	250
260	79	2	2	1	1	52	78	104	26	24	33	260	4	4	280	2	2	2	260
270	82	2	2	1	1	54	81	108	27	25	34	270	4	4	290	2	2	2	270
280	85	2	2	1	1	56	84	112	28	26	35	280	4	4	300	2	2	2	280
290	88	2	2	1	1	58	87	116	29	27	36	290	4	4	310	2	2	2	290
300	92	2	2	1	1	60	90	120	30	28	38	300	4	4	320	2	2	2	300
310	95	2	2	1	1	62	93	124	31	29	39	310	6	6	330	2	2	2	310
320	98	2	2	1	1	64	96	128	32	30	40	320	6	6	340	2	2	2	320
330	101	2	2	1	1	66	99	132	33	31	41	330	6	6	350	2	2	2	330
340	104	2	2	1	1	68	102	136	34	32	43	340	6	6	360	2	2	2	340
350	107	2	2	1	1	70	105	140	35	33	44	350	6	6	370	2	2	2	350
360	110	2	2	1	1	72	108	144	36	34	45	360	6	6	380	2	2	2	360
370	113	2	2	1	1	74	111	148	37	35	46	370	6	6	390	2	2	2	370
380	116	2	2	1	1	76	114	152	38	36	48	380	6	6	400	2	2	2	380
390	119	2	2	1	1	78	117	156	39	37	49	390	6	6	410	2	2	2	390
400	122	2	2	1	1	80	120	160	40	38	50	400	6	6	420	2	2	2	400
410	125	2	2	1	1	82	123	164	41	39	51	410	8	8	430	4	4	4	410
420	128	2	2	1	1	84	126	168	42	40	53	420	8	8	440	4	4	4	420
430	131	2	2	1	1	86	129	172	43	41	54	430	8	8	450	4	4	4	430
440	134	2	2	1	1	88	132	176	44	42	55	440	8	8	460	4	4	4	440
450	137	2	2	1	1	90	135	180	45	43	56	450	8	8	470	4	4	4	450
460	140	2	2	1	1	92	138	184	46	44	58	460	8	8	480	4	4	4	460
470	143	2	2	1	1	94	141	188	47	45	59	470	8	8	490	4	4	4	470
480	146	2	2	1	1	96	144	192	48	46	60	480	8	8	500	4	4	4	480
490	149	2	2	1	1	98	147	196	49	47	61	490	8	8	510	4	4	4	490
500	153	2	2	1	1	100	150	200	50	48	63	500	8	8	520	4	4	4	500
510	156	2	2	1	1	102	153	204	51	49	64	510	10	10	530	4	4	4	510
520	159	2	2	1	1	104	156	208	52	50	65	520	10	10	540	4	4	4	520
530	162	2	2	1	1	106	159	212	53	51	66	530	10	10	550	4	4	4	530
540	165	2	2	1	1	108	162	216	54	52	68	540	10	10	560	4	4	4	540
550	168	2	2	1	1	110	165	220	55	53	69	550	10	10	570	4	4	4	550
560	171	2	2	1	1	112	168	224	56	54	70	560	10	10	580	4	4	4	560
570	174	2	2	1	1	114	171	228	57	55	74	570	10	10	590	4	4	4	570
580	177	2	2	1	1	116	174	232	58	56	73	580	10	10	600	4	4	4	580
590	180	2	2	1	1	118	177	236	59	57	74	590	10	10	610	4	4	4	590
600	183	2	2	1	1	120	180	240	60	58	75	600	10	10	620	4	4	4	600