



SECTION 10 5" WIDE BELT, SIDE BELT

IN THIS CATALOG SECTION

PAGE NUMBER	CONTENTS
10-02	How To Order A 5" Wide Side Belt Mechanical Nest & Egg Collection System
10-03	Collection Tables - End Return - 5" Egg Belt
10-04	5" Wide Side Belt Nests
10-05	Connector Trough & Cover Assemblies for 5" Wide Side Belt Nests
10-06	Collection Table Diagrams

--

5" WIDE BELT, SIDE BELT

HOW TO ORDER A 5" WIDE SIDE BELT MECHANICAL NEST & EGG COLLECTION SYSTEM

1. Select one collection table for each nest row based on electrical requirement, height requirement and if used with cross conveyor or not.
2. Select one 417008 Dual Roller End Return for each collection table.
3. Select the nest required (10 hole or 20 hole) and determine the correct quantity needed based on nests per station and connector length.
4. Select one Nest Pad set for each nest.
5. Determine the quantity and select the roll length of cloth or perforated polypropylene 5" egg belt needed.
6. Select one 410185 Glue Kit per two rows of nests when using cloth egg belt.
7. Select one 410127 Sewing Kit for per two rows of nests when using cloth egg belt.
8. When polypropylene egg belt is used, select two 413552 Splicing Strapping for each nest row.
9. When using polypropylene egg belt, select one 417105 Egg Belt Take Up Tensioner Kit for each collection table.
10. Determine the length required for each nest-to-table connector, then select two connector trough & cover units for each collection table.
11. Determine the nest-to-nest connector needed based on the crossover space required and/or nest row length, then select the quantity of connector trough & cover units required.

OPTIONS

1. Select one 412268 Egg Deflector Kit for each nest; if not supplied locally, include two 412276 PVC pipes per kit.
2. Select one 412267 Nest Lid Opening/Closing Kit per nest.

5" WIDE BELT, SIDE BELT MECHANICAL NEST & EGG COLLECTION

COLLECTION TABLES

CATALOG #	ITEM DESCRIPTION	SHIP WEIGHT		LIST PRICE
		LBS.	KG.	
417004	3/4 hp Collection Table - 230V, 1P, Standard Legs	273.0	123.8	
417005	3/4 hp Collection Table - 230V, 1P, XH Legs (adds up to 10"/25.4cm)	377.0	171.0	
417105	Polypropylene egg belt take up tensioner kit (required collection table addition for use with polypropylene egg belts)	191.0	86.6	
417006	3/4 hp Collection Table - 230V, For direct egg transfer to cross conveyor	248.0	112.5	
417200	3/4 hp Compact Collection Table - 230V, For direct egg transfer to cross conveyor	313.0	142.0	
417007	3/4 hp Collection Table - 230V, For direct egg transfer to cross conveyor, Includes XH Legs (adds up to 10" / 25.4cm)	347.0	157.4	
417083	5" Egg Belt wide Drive Transfer Assembly (Quantity 2) <i>(1) 417083 For use with cross conveyor collection tables 417006 & 417007</i>	5.8	2.6	

FAR END RETURN ASSY

	ITEM DESCRIPTION	SHIP WEIGHT		LIST PRICE
		LBS.	KG.	
417008	Dual Roller End Return Assembly	28.4	12.9	

CLOTH 5" EGG BELT

CATALOG #	ITEM DESCRIPTION	SHIP WEIGHT		LIST PRICE
		LBS.	KG.	
417077-1020	5" Egg Belt - 1020' Roll	51.0	23.1	
417077-1220	5" Egg Belt - 1220' Roll	61.0	27.7	

PERFORATED POLYPROPYLENE 5" EGG BELT

CATALOG #	ITEM DESCRIPTION	SHIP WEIGHT		LIST PRICE
		LBS.	KG.	
417078-0820	5" Perforated Polypropylene Egg Belt - 820' Roll	74.0	33.6	
417078-1020	5" Perforated Polypropylene Egg Belt - 1020' Roll	92.0	41.7	
417078-1220	5" Perforated Polypropylene Egg Belt - 1220' Roll	110.0	18.1	

EGG BELT ACCESSORIES

CATALOG #	ITEM DESCRIPTION	SHIP WEIGHT		LIST PRICE
		LBS.	KG.	
410185	Glue Kit for Cloth Egg Belt (Includes 1 - #410186 Hot Glue Gun and 6 - #410187 Hot Glue Sticks)	1.2	0.5	
413552	Splicing Strapping for polypropylene egg belt	0.0	0.9	
410127	Sewing Kit for both Cloth (Includes 1 - #410940 3" Belt Needle & 1 - #410941 81' Spool Wax Thread)	0.1	0.0	

5" WIDE BELT, SIDE BELT MECHANICAL NEST & EGG COLLECTION

8' - 20 HOLE MECHANICAL NEST, NEST PADS, ACCESSORIES

CATALOG #	ITEM DESCRIPTION	SHIP WEIGHT		LIST PRICE
		LBS.	KG.	
417000	8' Long Side Belt Nest (5" Belt) - 20 Holes - Closeable Top <i>(10 - 9.5" Holes Per Side; order pads separately)</i>	103.0	46.7	
417081	NXT Pad, Grey, 9.6" x 12.1"	0.4	0.2	
417082	NXT Pad, Grey, set for 417000 Nest, 9.6" x 12.1" <i>Set includes 20 - 417081 NXT Pads</i>	17.8	8.1	
412267	Nest Lid opening/closing kit. For use with the 417000 and 417001 8' side belt nests. (1 kit required per nest. <i>Does not include required additional winching system components</i>)	0.6	0.3	
412268	Egg Deflector Kit, Package of 8 Brackets (1 kit per nest section. <i>PVC pipe, 1 1/4" (31.75mm) schedule 40 not included.</i>	1.8	0.8	

8' - 10 HOLE COMFORT NEST AND NEST PAD

417001	8' Side Belt Nest (5" Belt) - 10 Holes - Comfort Nest <i>(5- 19" Holes Per Side; order pads separately)</i>	112.0	50.8	
412479	NXT Pad, Grey, for 417001 Nest, 12.1 x 18.9	0.8	0.3	
412494	NXT Pad, Grey, Set for 417001 Nest, 12.1 x 18.9 <i>Set includes 10 - 412479 NXT Pads</i>	17.6	8.0	
412267	Nest Lid opening/closing kit. For use with the 417000 & 417001 8' side belt nests. (1 kit required per nest. <i>Does not include required additional winching system components</i>)	0.6	0.3	
412268	Egg Deflector Kit, Package of 8 Brackets (1 kit per nest section. <i>PVC pipe, 1 1/4" (31.75mm) schedule 40 not included.</i>	1.8	0.8	



5" WIDE BELT, SIDE BELT MECHANICAL NEST & EGG COLLECTION

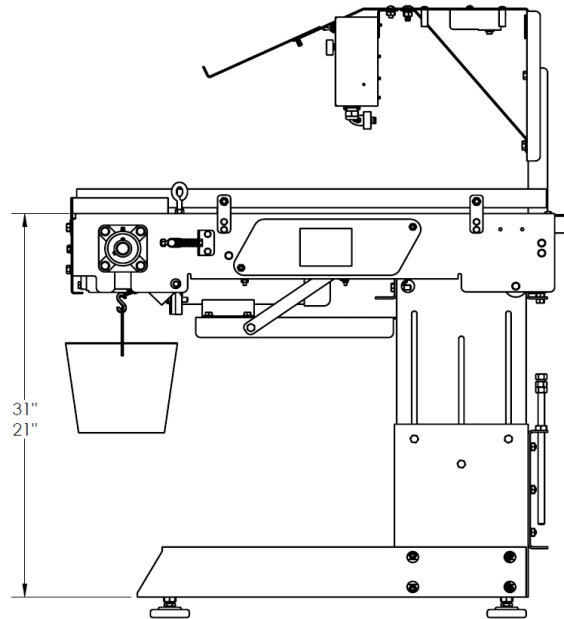
TROUGH CONNECTORS FOR SIDE BELT NESTS

CATALOG #	ITEM DESCRIPTION	SHIP WEIGHT		LIST PRICE
		LBS.	KG.	
417121	18" Connector Trough & Cover Assembly (417066 Trough + 417071 Cover)	3.0	1.4	
417122	24" Connector Trough & Cover Assembly (417067 Trough + 417072 Cover)	4.0	1.8	
417123	28.75" Connector Trough & Cover Assembly (417068 Trough + 417073 Cover)	4.8	2.2	
417124	36" Connector Trough & Cover Assembly (417069 Trough + 417074 Cover)	6.0	2.7	
417125	48" Connector Trough & Cover Assembly (417070 Trough + 417075 Cover)	7.9	3.6	
417126	96" Connector Trough & Hinged Cover Assembly (417012 Trough + 417076 Hinged Cover)	16.4	7.4	

Used for both nest-to-table and nest-to-nest.

5" WIDE SIDE BELT COLLECTION TABLE HEIGHTS

REGULAR HEIGHT TABLE



EXTRA HEIGHT TABLE

